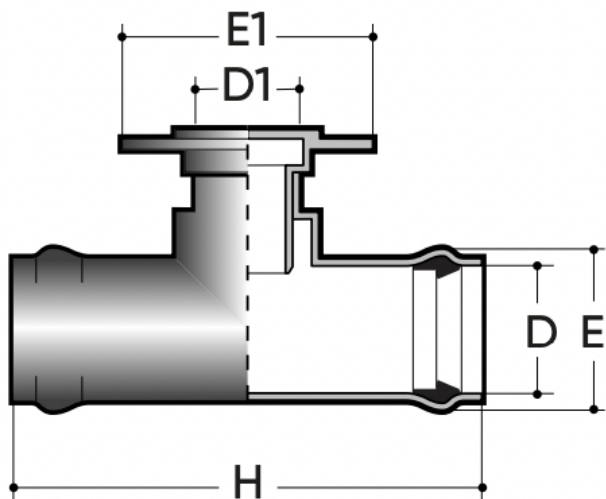


90° flanged tee PN10

Shunt reduced to 90° flanged PVC-U, Grey RAL 7011, Rubber ring connection, FORSHEDA 601 POWER-LOCK® on request.

The fittings comply with UNI EN ISO 1452, DIN 8063, ISO 2045, ISO/DIS 6455 standards for the transport of pressurised fluids for the supply of drinking water, wastewater and food fluids: oil, wine, milk.



Reference	D x D1 (mm)	E (mm)	E1 (mm)	ØA x nr. Holes	H (mm)	Weight (gr)
TFVP08315300SBL	*315x300	381	465	400x12	1176	53100
TFVP10063050SBL	63x50	92	168	125x4	274	1125
TFVP10075050SBL	75x50	107	168	125x4	300	1580
TFVP10075065SBL	75x65	107	188	145x4	300	1590
TFVP10090050SBL	90x50	126	168	125x4	330	1925
TFVP10090065SBL	90x65	126	188	145x4	330	2110
TFVP10090080SBL	90x80	126	203	160x8	330	2530
TFVP10110050SBL	110x50	151	168	125x4	370	2696
TFVP10110065SBL	110x65	151	168	145x4	370	2920
TFVP10110080SBL	110x80	151	203	160x8	370	3240
TFVP10110100SBL	110x100	151	222	180x8	370	3920
TFVP10125050SBL	125x50	169	168	125x4	400	3790
TFVP10125065SBL	125x65	169	188	145x4	400	3952
TFVP10125080SBL	125x80	169	203	160x8	400	4123
TFVP10125100SBL	125x100	169	222	180x8	400	4534
TFVP10125110SBL	125x110	169	230	190x8	400	5440
TFVP10140050SBL	140x50	189	168	125x4	426	4796
TFVP10140065SBL	140x65	189	188	145x4	426	4995
TFVP10140080SBL	140x80	189	203	160x8	426	5320

All information subject to change.

Please contact us on <https://www.aliaxis.co.uk/get-in-touch> for further informations

90° flanged tee PN10

Reference	D x D1 (mm)	E (mm)	E1 (mm)	ØA x nr. Holes	H (mm)	Weight (gr)
TFVP10140100SBL	140x100	189	222	180x8	426	5870
TFVP10140110SBL	140x110	189	230	190x8	426	6000
TFVP10140125SBL	140x125	178	251	210x8	630	7850
TFVP10160050SBL	160x50	213	168	125x4	462	6200
TFVP10160065SBL	160x65	213	188	145x4	462	6335
TFVP10160080SBL	160x80	213	203	160x8	462	6510
TFVP10160100SBL	160x100	213	222	180x8	462	6954
TFVP10160110SBL	160x110	213	230	190x8	462	7384
TFVP10160125SBL	160x125	213	251	210x8	462	7895
TFVP10160150SBL	160x150	213	290	240x8	462	9340
TFVP10180180SBL	180x180	224	318	270x8	780	9600
TFVP10200050SBL	200x50	262	168	125x4	545	9870
TFVP10200065SBL	200x65	262	188	145x4	545	10080
TFVP10200080SBL	200x80	262	203	160x8	545	10435
TFVP10200100SBL	200x100	262	222	180x8	545	10880
TFVP10200110SBL	200x110	262	230	190x8	545	11304
TFVP10200125SBL	200x125	262	251	210x8	545	12060
TFVP10200150SBL	200x150	262	290	240x8	545	13345
TEE A 90° FLANGIATA	200x200	262	340	295x8	545	14490
TFVP10225150SBL	225x150	276	290	240x8	906	21450
TFVP10225200SBL	225x200	276	340	295x8	906	23720
TFVP10250225SBL	250x225	305	396	350x12	994	28025
TFVP10280280SBL	280x280	342	399	350x12	1180	32200

All information subject to change.

Please contact us on <https://www.aliasis.co.uk/get-in-touch> for further informations