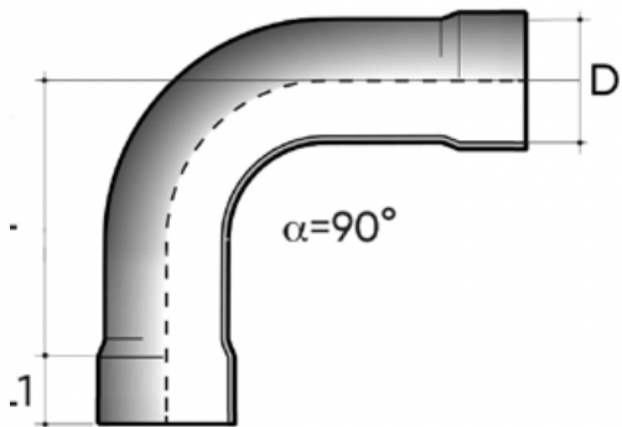


# Thermoformed bend R=1.5D 90° F/ F PN10

Bend PVC-U, F/F, Grey RAL 7011, gluing connection.

The fittings comply with UNI EN ISO 1452, DIN 8063, ISO 2045, ISO/DIS 6455 standards for the transport of pressurised fluids for the supply of drinking water, wastewater and food fluids: oil, wine, milk.



Reference	D (mm)	L (mm)	L1 (mm)
B9VP10050IIL	50	92	35
B9VP10063IIL	63	102	43
B9VP10075IIL	75	118	51
B9VP10090IIL	90	142	58
B9VP12110IIL	*110	175	70
B9VP12125IIL	*125	200	79
B9VP12140IIL	*140	236	87
B9VP12160IIL	*160	260	99
B9VP12180IIL	*200	330	122

All information subject to change.

Please contact us on <https://www.aliaxis.co.uk/get-in-touch> for further informations