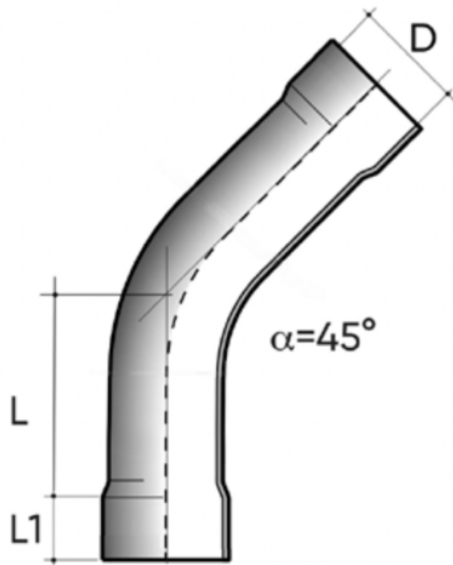


Thermoformed bend R=1.5D 45° F/ F PN10

Bend PVC-U, F/F, Grey RAL 7011, gluing connection.

The fittings comply with UNI EN ISO 1452, DIN 8063, ISO 2045, ISO/DIS 6455 standards for the transport of pressurised fluids for the supply of drinking water, wastewater and food fluids: oil, wine, milk.



Reference	D (mm)	L (mm)	L1 (mm)
B4VP10050IIL	50	40	35
B4VP10063IIL	63	46	43
B4VP10075IIL	75	54	51
B4VP10090IIL	90	63	58
B4VP12110IIL	*110	80	70
B4VP12125IIL	*125	89	79
B4VP12140IIL	*140	98	87
B4VP12160IIL	*160	119	99
B4VP12180IIL	*200	143	122

All information subject to change.

Please contact us on <https://www.aliasis.co.uk/get-in-touch> for further informations