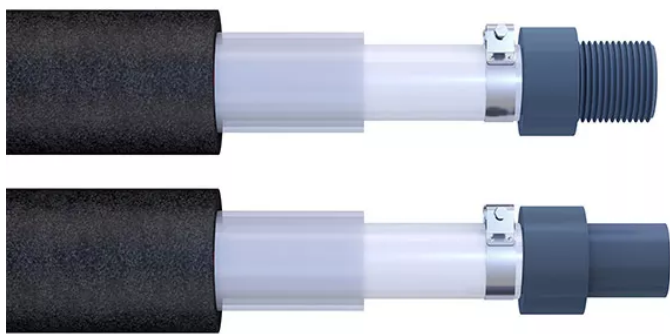


# ProtectaFlex Detect Solvent welding PVC-U fittings

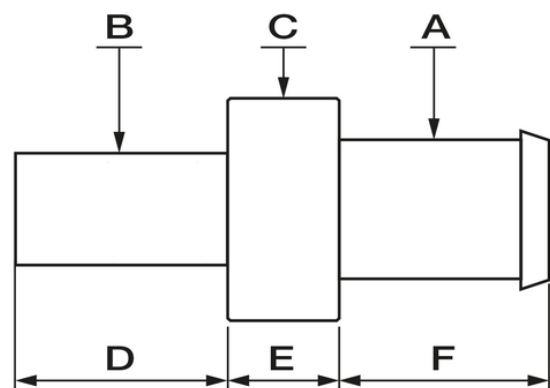
Solvent PVC fittings for RPVC and LDPE pipe

We recommend to connect ProtectaFlex Detect solution exclusively with the fittings specified. The use of unauthorized and different components may compromise the system warranty.

Solvent welding PVCU fittings are available for all sizes for on-site installation using a steel collar.



**SOLVENT SPIGOT**



Reference	OD - A x B	C	ID (mm)	D	E	F	Inner pipe material
PFXAIV060200	6,3 x 20	25	3,5	20	15	30	PVC-U
PFXAIV100200	10 x 20	30	6,5	20	15	30	PVC-U
PFXAIV125200	12,5 x 20	30	8,5	20	15	30	PVC-U
PFXAIV190250	19 x 25	40	13	25	15	30	PVC-U
PFXAIV250320	25 x 32	40	18,5	25	20	40	PVC-U
PFXAIV320400	32 x 40	50	22	30	20	40	PVC-U
PFXAIV380500	38 x 50	50	26	35	20	45	PVC-U
PFXAIV500630	50 x 63	70	38	40	20	45	PVC-U

All information subject to change.

Please contact us on <https://www.aliasis.co.uk/get-in-touch> for further informations