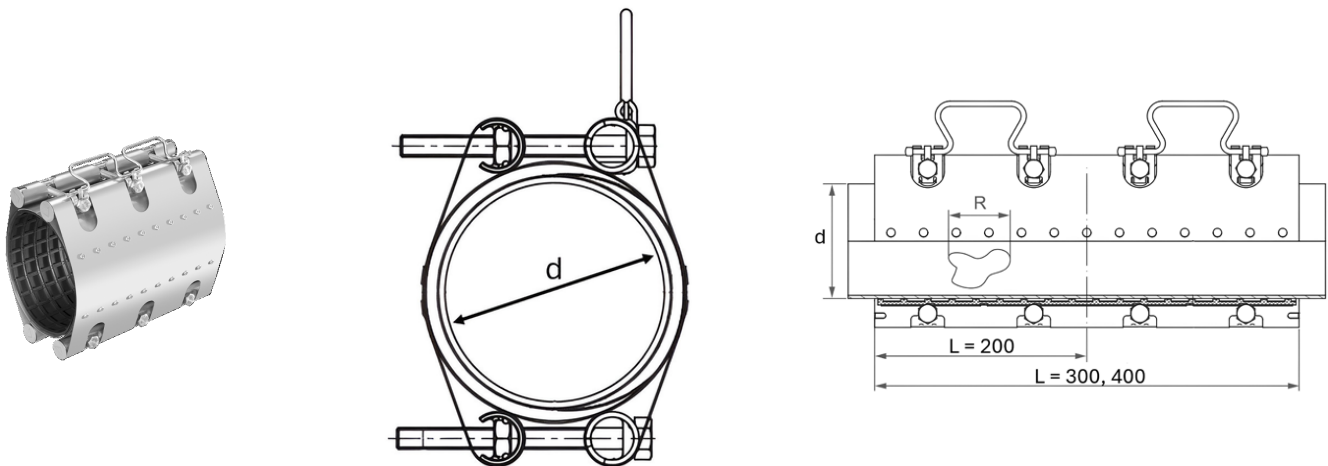


FCZ

FRIACLAMP stainless steel repair clamp, two-piece

Two-piece repair clamp for sealing damaged gas and water pipes made of different materials (steel, cast iron, ductile iron, asbestos cement, PVC).

- Special gasket design for a secure sealing of tapping holes, cracks and corrosion damage
- Body, closure, bolts and nuts made of stainless steel
- Gasket material EPDM or NBR
- Temperature range: -5 °C - +40 °C



Gasket EPDM, DIN-EN 681-1 / KTW / UBA / DVGW-W270

PFA/PN water, maximum = 16 bar

Reference	Diameter	DN	PN	L	SW	Screws (pc. / size)	Weight [kg]	BX	Pallet quantity
392-088-200	88-110	80	16	200	17	M10	2,620	6	192
392-088-300	88-110	80	16	300	17	M10	5,560	6	144
392-088-400	88-110	80	16	400	17	M10	7,490	6	96
392-100-200	100-120	100	16	200	17	M10	2,710	4	192
392-100-300	100-120	100	16	300	17	M10	5,740	4	144
392-100-400	100-120	100	16	400	17	M10	5,650	4	96
392-108-200	108-128	100	16	200	17	M10	2,740	4	128
392-108-300	108-128	100	16	300	17	M10	1,780	4	96
392-108-400	108-128	100	16	400	17	M10	5,460	4	64
392-114-200	114-134	100	16	200	17	M10	3,830	4	128
392-114-300	114-134	100	16	300	17	M10	4,270	4	96
392-114-400	114-134	100	16	400	17	M10	5,860	4	64
392-120-200	120-140	100	16	200	17	M10	2,970	4	128

FRIACLAMP stainless steel repair clamp, two-piece

Reference	Diameter	DN	PN	L	SW	Screws (pc. / size)	Weight [kg]	BX	Pallet quantity
392-120-300	120-140	100	16	300	17	M10	6,040	4	96
392-120-400	120-140	100	16	400	17	M10	6,160	4	64
392-130-200	130-150	125	16	200	19	M12	3,510	3	64
392-130-300	130-150	125	16	300	19	M12	5,350	3	48
392-130-400	130-150	125	16	400	19	M12	1,780	3	16
392-140-200	140-160	125	16	200	19	M12	3,610	3	64
392-140-300	140-160	125	16	300	19	M12	6,260	3	48
392-140-400	140-160	125	16	400	19	M12	8,410	3	16
392-159-200	159-180	150	16	200	19	M12	3,740	2	64
392-159-300	159-180	150	16	300	19	M12	6,520	2	48
392-159-400	159-180	150	16	400	19	M12	8,760	2	16
392-168-200	168-189	150	16	200	19	M12	4,260	2	64
392-168-300	168-189	150	16	300	19	M12	6,620	2	48
392-168-400	168-189	150	16	400	19	M12	8,890	2	16
392-190-200	190-210	175	16	200	19	M12	5,900	2	64
392-190-300	190-210	175	16	300	19	M12	6,860	2	48
392-190-400	190-210	175	16	400	19	M12	9,210	2	16
392-210-200	210-230	200	10	200	19	M12	6,600	1	32
392-210-300	210-230	200	10	300	19	M12	6,810	1	24
392-210-400	210-230	200	10	400	19	M12	9,930	1	16
392-218-200	218-238	200	10	200	19	M12	4,590	1	32
392-218-300	218-238	200	10	300	19	M12	6,970	1	24
392-218-400	218-238	200	10	400	19	M12	10,060	1	16
392-240-200	240-260	225	10	200	19	M12	7,000	1	32
392-240-300	240-260	225	10	300	19	M12	7,170	1	24
392-240-400	240-260	225	10	400	19	M12	10,420	1	16
392-269-200	269-289	250	10	200	19	M12	7,200	1	32
392-269-300	269-289	250	10	300	19	M12	7,570	1	24
392-269-400	269-289	250	10	400	19	M12	10,890	1	16
392-282-200	282-302	250	10	200	19	M12	5,440	1	32
392-282-300	282-302	250	10	300	19	M12	8,280	1	24
392-282-400	282-302	250	10	400	19	M12	11,110	1	16
392-315-200	315-335	300	10	200	19	M12	5,770	1	32
392-315-300	315-335	300	10	300	19	M12	11,650	1	24
392-315-400	315-335	300	10	400	19	M12	11,650	1	16
392-322-300	322-344	300	10	300	19	M12	8,770	1	24

FRIACLAMP stainless steel repair clamp, two-piece

Reference	Diameter	DN	PN	L	SW	Screws (pc. / size)	Weight [kg]	BX	Pallet quantity
392-322-400	322-344	300	10	400	19	M12	12,000	1	16
392-337-300	337-358	300	6	300	19	M12	11,650	1	24
392-337-400	337-358	300	6	400	19	M12	11,760	1	36
392-347-300	347-367	350	6	300	19	M12	6,090	1	36
392-347-400	347-367	350	6	400	19	M12	6,090	1	16
392-365-400	365-385	350	5	400	19	M12	12,460	1	32
392-410-400	410-430	400	5	400	19	M12	13,360	1	24
392-420-400	420-440	400	5	400	19	M12	11,650	1	16

Gasket NBR, DIN-EN 682

MOP gas according to table, maximum = 5 bar

Other water qualities maximum = 16 bar

Reference	Diameter	DN	PN	L	SW	Screws (pc. / size)	Weight [kg]	BX	Pallet quantity
382-088-200	88-110	80	5	200	17	M10	2,620	6	192
382-088-300	88-110	80	5	300	17	M10	4,000	6	144
382-088-400	88-110	80	5	400	17	M10	7,490	6	96
382-100-300	100-120	100	5	300	17	M10	5,740	4	144
382-108-200	108-128	100	5	200	17	M10	2,740	4	128
382-108-300	108-128	100	5	300	17	M10	4,170	4	96
382-108-400	108-128	100	5	400	17	M10	5,460	4	64
382-114-300	114-134	100	5	300	17	M10	4,270	4	96
382-120-200	120-140	125	5	200	17	M10	2,970	4	128
382-130-200	130-150	125	5	200	19	M12	3,510	3	64
382-130-300	130-150	125	5	300	19	M12	5,350	3	48
382-140-200	140-160	125	5	200	19	M12	3,610	3	64
382-140-300	140-160	125	5	300	19	M12	6,260	3	48
382-159-200	159-180	150	5	200	19	M12	3,740	2	64
382-159-300	159-180	150	5	300	19	M12	6,520	2	48
382-159-400	159-180	150	5	400	19	M12	8,760	2	16
382-168-300	168-189	150	5	300	19	M12	6,620	2	48
382-190-200	190-210	175	5	200	19	M12	5,900	2	64
382-210-200	210-230	200	5	200	19	M12	6,600	1	32
382-210-300	210-230	200	5	300	19	M12	6,810	1	24
382-218-300	218-238	200	5	300	19	M12	6,970	1	24

FCZ**FRIACLAMP stainless steel repair clamp, two-piece**

Reference	Diameter	DN	PN	L	SW	Screws (pc. / size)	Weight [kg]	BX	Pallet quantity
382-218-400	218-238	200	5	400	19	M12	10,060	1	16
382-269-300	269-289	250	5	300	19	M12	7,570	1	24
382-269-400	269-289	250	5	400	19	M12	10,890	1	16
382-315-300	315-335	300	5	300	19	M12	8,080	1	24

FRIACLAMP stainless steel repair clamp, two-piece

Areas of application

FRIACLAMP repair clamps for secure sealing of damaged pipes made of different materials (steel, cast iron, ductile iron, asbestos cement, PVC). Available from DN 40 to DN 300. Also available in one-piece design.

FRIACLAMP repair clamps can be used with the standard NBR gasket for gas, water and wastewater.

Processing instructions

FRIACLAMP can be used to reliably seal damaged pipes. The installation length of the repair clamp should be selected so that it corresponds at least to the outside diameter of the pipe to be repaired.

The pipe surfaces must be prepared in accordance with the general installation requirements (see FRIACLAMP installation instructions).

* Permissible operating pressure:

Gas: Permitted operating pressure 5 bar (\leq DN 300).

Water: Permitted operating pressure:

\leq DN 200 PN 16

> DN 200 PN 10

> DN 300 on request.

Good reasons for FRIACLAMP

- Quick locking System with Nuts and Bolts in V2A
- No welded parts
- Seal with large unique profile
- Dovetail-shaped sealing webs form sealing lips when pressed against the pipe surface
- Secure sealing even on corroded pipe surfaces
- No sharp edges
- No loose parts when opening the one-piece and two-piece repair clamps enable time-saving installation
- Movable handle ensures easy installation with minimum installation space requirements
- Optimized locking mechanism ensures defined pretensioning of each bolt
- Assembly possible with standard tools