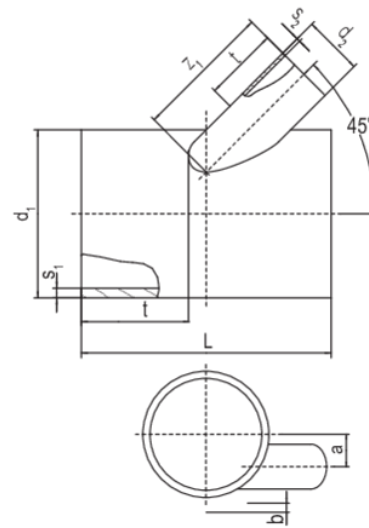


# ATSRS 45

## Reduced branch 45° with off-center outlet (spigot fitting)

Reduced branch 45° with off-center outlet, SDR 17 (spigot fitting) ATSRS 45

- HD-PE fitting with off-center outlet for processing without holding devices with FRIAFIT couplers AM.
- Black pipe colour with bright inner surface
- When ordering, please specify the required outlet side (right/left) in flow direction.



PE 100

Maximum permissible test pressure 0.5 bar according to DIN EN 1610

in flow direction right

Reference	d <sub>1</sub>	d <sub>2</sub>	a	b	L	s <sub>1</sub>	s <sub>1</sub>	s <sub>2</sub>	t	z <sub>1</sub>	Weight [kg]	BX
682301	315	160	50	30	630	17,9	17,9	9,1	200	320	13,400	1
682302	315	225	20	25	720	17,9	17,9	12,8	200	320	17,000	1
682303	355	160	68	30	630	20,1	20,1	9,1	200	335	16,600	1
682304	355	225	40	25	720	20,1	20,1	12,8	200	335	20,900	1
682305	450	160	115	30	670	25,5	25,5	9,1	200	370	26,600	1
682306	450	225	87	25	760	25,5	25,5	12,8	200	370	32,300	1
682307	560	160	170	30	670	31,7	31,7	9,1	200	410	39,900	1
682308	560	225	142	25	760	31,7	31,7	12,8	200	410	47,600	1
682309	630	160	205	30	670	35,7	35,7	9,1	200	440	49,900	1
682310	630	225	177	25	760	35,7	35,7	12,8	200	440	59,100	1

# ATSRS 45

## Reduced branch 45° with off-center outlet (spigot fitting)

PE 100

Maximum permissible test pressure 0.5 bar according to DIN EN 1610

in flow direction left

Reference	d <sub>1</sub>	d <sub>2</sub>	a	b	L	s <sub>1</sub>	s <sub>1</sub>	s <sub>2</sub>	t	z <sub>1</sub>	Weight [kg]	BX
682311	315	160	50	30	630	17,9	17,9	9,1	200	320	13,400	1
682312	315	225	20	25	720	17,9	17,9	12,8	200	320	17,400	1
682313	355	160	68	30	630	20,1	20,1	9,1	200	335	16,600	1
682314	355	225	40	25	720	20,1	20,1	12,8	200	335	20,900	1
682315	450	160	115	30	670	25,5	25,5	9,1	200	370	26,600	1
682316	450	225	87	25	760	25,5	25,5	12,8	200	370	32,300	1
682317	560	160	170	30	670	31,7	31,7	9,1	200	410	39,900	1
682318	560	225	142	25	760	31,7	31,7	12,8	200	410	47,600	1
682319	630	160	205	30	670	35,7	35,7	9,1	200	440	49,900	1
682320	630	225	177	25	760	35,7	35,7	12,8	200	440	59,100	1