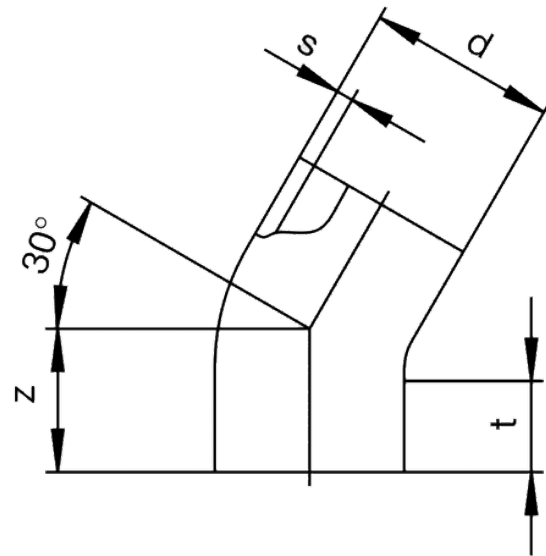


ABS 30

30° sewage bend (spigot fitting)

Sewage bend 30°, SDR 17 (spigot fitting) ABS 30

- HD-PE fitting for processing without holding devices with FRIAFIT couplers AM
- Black pipe colour with bright inner surface



PE 100

Maximum permissible working pressure 10 bar (20 °C, water / sewage)

Reference	Diameter	s	t	Z	Z	Weight [kg]	BX	
681001	160	9,1	170	280	280	2,280	1	-
681003	225	12,8	250	371	371	4,920	1	15
681022	280	15,9	300	440	440	12,500	1	-
681021	315	17,9	300	480	480	17,400	1	10
681019	355	20,1	300	520	520	24,300	1	-