

URK

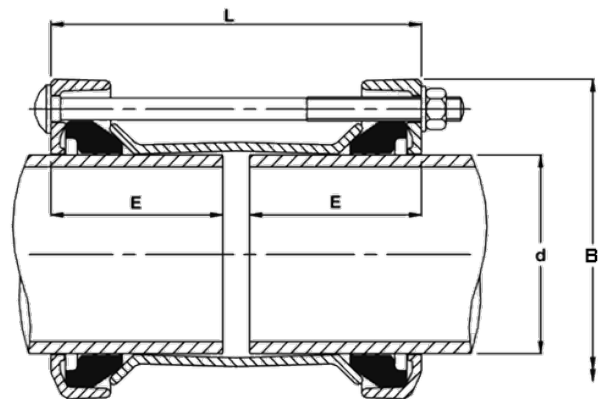
Ultra-Range Coupling

Coupling for connecting pipes made of different materials (steel, cast iron, ductile cast iron, asbestos cement, PVC, PE-HD/PEX).

- Housing and follower ring made of ductile cast iron (EN-GS-450-10)
- Rilsan corrosion protection (min. 250 µm according to GSK)
- Screws and nuts galvanized/sheraplex-coated or made of stainless steel
- Seal material EPDM or NBR
- Diameter tolerance max. 34 mm depending on dimensions
- Pipes can be angled by max. 8 degrees
- Temperature Range: -20°C - + 30°C

Note:

When used on PE-HD/PEX pipes, our inner support liner SHVA is required. Alternatively, we recommend restrained products such as FRIASAFE or FRIAGRIP.



Nuts and bolts galvanized and sheraplex coated Gasket EPDM, DIN-EN 681-1 / KTW / UBA / DVGW-W270

PFA /PN Water: up to DN 300 = 16 bar

Reference	Diameter	DN	L	t min	t max	Weight [kg]	BX	Pallet quantity
UR-02R9-043	43,5-63,5	40/50	210	80	95	4,900	4	96
UR-02R9-063	63,0-83,7	65	215	80	95	5,750	2	48
UR-02R9-085	85,7-107,0	80	240	75	110	6,900	4	72
UR-02R9-107	107,2-133,2	100	260	75	120	10,300	1	30
UR-02R9-132	132,2-160,2	125	260	75	120	12,400	1	30
UR-02R9-158	158,2-192,2	150	305	90	145	17,100	1	18

URK

Ultra-Range Coupling

Reference	Diameter	DN	L	t min	t max	Weight [kg]	BX	Pallet quantity
UR-02R9-192	192,2-226,9	175	320	90	145	19,500	1	12
UR-02R9-218	218,1-252,1	200	320	90	145	24,900	1	12
UR-02R9-266	266,2-300,2	250	400	90	185	34,700	1	2
UR-02R9-315	315,0-349,0	300	400	90	185	42,550	1	2

Nuts and Bolts Stainless steel, Gasket EPDM, DIN-EN 681-1 / KTW / UBA / DVGW-W270

PFA /PN Water: up to DN 300 = 16 bar

Reference	Diameter	DN	L	t min	t max	Weight [kg]	BX	Pallet quantity
UR-02R9X043	43,5-63,5	40/50	210	80	95	4,400	4	96
UR-02R9X063	63,0-83,7	65	215	80	95	5,400	2	48
UR-02R9X085	85,7-107,0	80	240	75	110	6,600	4	72
UR-02R9X107	107,2-133,2	100	260	75	120	10,300	1	30
UR-02R9X132	132,2-160,2	125	260	75	120	17,350	1	30
UR-02R9X158	158,2-192,2	150	305	90	145	16,200	1	18
UR-02R9X192	192,2-226,9	175	320	90	145	19,500	1	12
UR-02R9X218	218,1-252,1	200	320	90	145	25,000	1	12
UR-02R9X266	266,2-300,2	250	400	90	185	37,000	1	2
UR-02R9X315	315,0-349,0	300	400	90	185	41,000	1	2

Nuts and bolts galvanized and sheraplex coated, Gasket NBR, DIN-EN 682 MOP Gas = 5 bar / other water qualities = 16 bar

Reference	Diameter	DN	L	t min	t max	Weight [kg]	BX	Pallet quantity
UR-02R2-043	43,5-63,5	40/50	210	80	95	4,900	4	96
UR-02R2-063	63,0-83,7	65	215	80	95	5,750	2	48
UR-02R2-085	85,7-107,0	80	240	75	110	6,900	4	72
UR-02R2-107	107,2-133,2	100	260	75	120	10,300	1	30
UR-02R2-132	132,2-160,2	125	260	75	120	12,400	1	30
UR-02R2-158	158,2-192,2	150	305	90	145	17,100	1	18
UR-02R2-192	192,2-226,9	175	320	90	145	19,500	1	12
UR-02R2-218	218,1-252,1	200	320	90	145	24,900	1	12
UR-02R2-266	266,2-300,2	250	400	90	185	37,100	1	2
UR-02R2-315	315,0-349,0	300	400	90	185	42,550	1	2

Nuts and bolts Stainless Steel, Gasket NBR, DIN-EN 682 MOP Gas = 5 bar / other water qualities = 16 bar

URK

Ultra-Range Coupling

Reference	Diameter	DN	L	t min	t max	Weight [kg]	BX	Pallet quantity
UR-02R2X043	43,5-63,5	40/50	210	80	95	4,400	4	96
UR-02R2X063	63,0-83,7	65	215	80	95	5,400	2	48
UR-02R2X085	85,7-107,0	80	240	75	110	6,600	4	72
UR-02R2X107	107,2-133,2	100	260	75	120	10,300	1	30
UR-02R2X132	132,2-160,2	125	260	75	120	12,400	1	30
UR-02R2X158	158,2-192,2	150	305	90	145	17,350	1	18
UR-02R2X192	192,2-226,9	175	320	90	145	19,500	1	12
UR-02R2X218	218,1-252,1	200	320	90	145	25,000	1	12
UR-02R2X266	266,2-300,2	250	400	90	185	37,000	1	2
UR-02R2X315	315,0-349,0	300	400	90	185	41,000	1	2

Ultra-Range Coupling

Application areas

Ultra-Range flange adapters and couplings are flexible connecting elements for pipes made of steel, cast iron, ductile iron, fiber cement, PVC, PE-HD/PEX, available from DN 40 to DN 300.

The clamping ranges up to DN 300 are designed so that a component can be used on all pipe materials of a nominal diameter.

Ultra-Range can be subjected to operating pressures of up to 16 bar for water and up to PN 5 for gas.

Ultra-Range can be used with NBR seals for gas, water and waste water, and with EPDM seals (DVGW-W270 [11.2007], KTW) in drinking water distribution networks. Screws and nuts correspond to strength class 8.8/8 and are galvanized/sheraplex-coated or made of stainless steel.

Processing instructions

Ultra-Range can be used to make flexible connections between pipes made of the same or different materials.

The pipe ends must be prepared in accordance with the general installation requirements (see FRIAGRIP installation instructions).

The insertion depths $t_{min.}/t_{max.}$ must be observed.

When using PE-HD/PEX pipes, the FRIAGRIP support sleeve (type FRIATEC Mod. SHVA, see current FRIAGRIP price list. Alternatively, we recommend the restrained Products like FRIAGRIP.

Good reasons for Ultra-Range

Proven design, body and follower ring made of ductile cast iron GGG40 and coated with RILSAN®

Flanges are generally drilled to PN 10 and PN 16

The components are supplied pre-assembled at the factory, so no conversion or replacement work is required on site

One gasket for the pipe materials steel, cast iron, ductile cast iron, fiber cement, PVC, PE-HD/PEX

Pipes can be angled up to 8° (URK) or 4° (URFA). In the event of pipe fractures, a misalignment can be compensated for by installing two couplings. The couplings act like a joint and keep the pipe tension-free

Simple installation with standard tools

One torque for all pipe materials

It is not necessary to check the tightening torque of the screws several times

The tolerance range of up to 34 mm enables different pipe materials to be connected to one component. Reduced stock levels for suppliers and retailers