

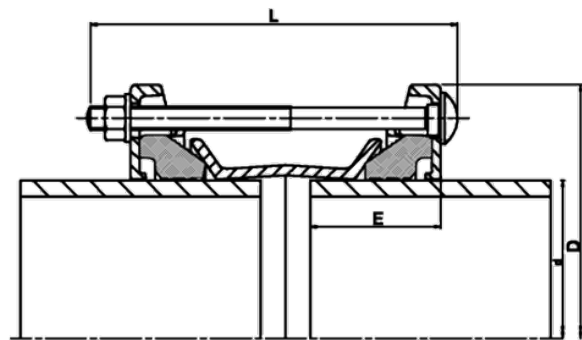
Wide-Range Coupling

Coupling for connecting pipes made of different materials (steel, cast iron, ductile cast iron, asbestos cement, PVC, PE-HD/PEX).

- Housing and follower ring made of steel
- Rilsan corrosion protection (min. 250 µm according to GSK)
- Screws and nuts galvanized/sheraplex-coated or made of stainless steel
- Seal material EPDM
- Diameter tolerance max. 17 mm
- Pipes can be angled by max. 6 degrees
- Temperature Range: -20 °C - +30 °C

Note:

When used on PE-HD/PEX pipes, our inner support liner SHVA is required. Alternatively, we recommend restrained products such as FRIASAFE or FRIAGRIP.



Nuts and bolts galvanized and sheraplex coated Gasket EPDM, DIN-EN 681-1 / KTW / UBA / DVGW-W270

PFA /PN Water: up to DN 300 = 16 bar

Reference	Diameter	DN	L	Weight [kg]	BX	Pallet quantity
GB-02R9-351	351,0-368,0	300	310	32,400	1	2
GB-02R9-374	374,5-391,5	350	310	34,200	1	1
GB-02R9-394	394,3-411,3	400	310	35,600	1	1
GB-02R9-418	418,2-435,2	400	310	37,600	1	1
GB-02R9-447	447,2-464,2	400	310	39,500	1	1
GB-02R9-455	455,0-472,0	450	310	39,500	1	1

Wide-Range Coupling

Reference	Diameter	DN	L	Weight [kg]	BX	Pallet quantity
GB-02R9-476	476,0-493,0	450	310	43,000	1	1
GB-02R9-501	501,9-518,9	500	310	44,500	1	1
GB-02R9-527	527,0-544,0	500	310	46,000	1	1
GB-02R9-555	555,3-572,3	500	310	47,600	1	1
GB-02R9-630	630,5-647,5	600	310	52,000	1	1
GB-02R9-662	662,0-679,0	600	310	57,800	1	1
GB-02R9-675	675,0-692,0	600	310	59,000	1	1

Nuts and Bolts Stainless steel ,Gasket EPDM, DIN-EN 681-1 / KTW / UBA / DVGW-W270

PFA /PN Water: up to DN 300 = 16 bar

Reference	Diameter	DN	L	Weight [kg]	BX	Pallet quantity
GB-02R9X351	351,0-368,0	300	310	32,400	1	2
GB-02R9X374	374,5-391,5	350	310	34,200	1	1
GB-02R9X394	394,3-411,3	400	310	35,600	1	1
GB-02R9X418	418,2-435,2	400	310	37,600	1	1
GB-02R9X447	447,2-464,2	400	310	39,100	1	1
GB-02R9X455	455,0-472,0	450	310	39,500	1	1
GB-02R9X476	476,0-493,0	450	310	43,000	1	1
GB-02R9X501	501,9-518,9	500	310	44,500	1	1
GB-02R9X527	527,0-544,0	500	310	47,700	1	1
GB-02R9X555	555,3-572,3	500	310	47,600	1	1
GB-02R9X630	630,5-647,5	600	310	56,100	1	1
GB-02R9X662	662,0-679,0	600	310	57,800	1	1
GB-02R9X675	675,0-692,0	600	310	59,000	1	1
GB-02R9X689	689,0-706,0	700	310	56,300	1	1
GB-02R9X695	695,0-712,0	700	310	56,700	1	1
GB-02R9X710	710,0-727,0	700	310	57,700	1	1
GB-02R9X733	733,0-750,0	700	310	60,100	1	1