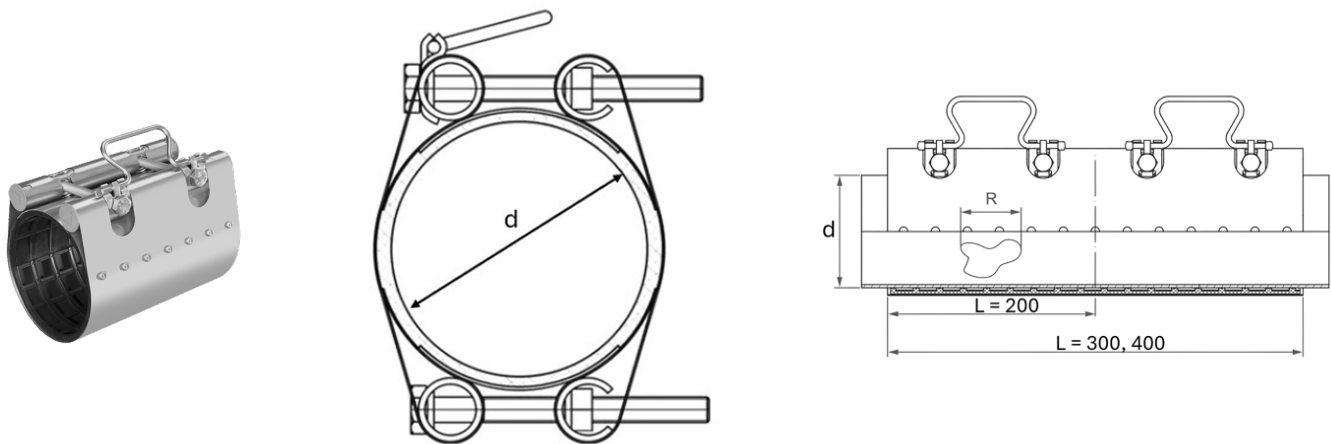


FCE

FRIACLAMP stainless steel repair clamp, one-piece

One-piece repair clamp for sealing damaged gas and water pipes made of different materials (steel, cast iron, ductile iron, asbestos cement, PVC).

- Special gasket design for a secure sealing of tapping holes, cracks and corrosion damage
- Body, closure, bolts and nuts made of stainless steel
- Gasket material EPDM or NBR
- Temperature range: -5 °C - +40 °C



Gasket EPDM, DIN-EN 681-1 / KTW / UBA / DVGW-W270

PFA/PN water maximum = 16 bar

Reference	Diameter	DN	PN	L	SW	Screws (pc. / size)	Weight [kg]	BX	Pallet quantity
391-044-200	44-48	40	16	200	17	M10	1,750	10	320
391-044-300	44-48	40	16	300	17	M10	2,740	10	240
391-048-200	48-52	40	16	200	17	M10	1,410	10	320
391-048-300	48-52	40	16	300	17	M10	2,740	10	240
391-054-200	54-58	50	16	200	17	M10	1,410	10	320
391-054-300	54-58	50	16	300	17	M10	2,080	10	240
391-060-200	60-67	65	16	200	17	M10	1,410	10	320
391-060-300	60-67	65	16	300	17	M10	2,800	10	240
391-070-200	70-77	65	16	200	17	M10	2,800	9	288
391-070-300	70-77	65	16	300	17	M10	2,960	9	216
391-075-200	75-83	65	16	200	17	M10	1,500	9	288
391-075-300	75-83	65	16	300	17	M10	2,260	9	216
391-082-200	82-89	80	16	200	17	M10	1,540	9	288

FRIACLAMP stainless steel repair clamp, one-piece

Reference	Diameter	DN	PN	L	SW	Screws (pc. / size)	Weight [kg]	BX	Pallet quantity
391-082-300	82-89	80	16	300	17	M10	2,580	9	216
391-082-400	82-89	80	16	400	17	M10	4,000	9	96
391-087-200	87-95	80	16	200	17	M10	1,600	9	288
391-087-300	87-95	80	16	300	17	M10	2,440	9	216
391-087-400	87-95	80	16	400	17	M10	4,130	9	96
391-088-200	88-98	80	16	200	17	M10	2,020	8	256
391-088-300	88-98	80	16	300	17	M10	3,020	8	192
391-095-200	95-104	80	16	200	17	M10	1,780	6	192
391-095-300	95-104	80	16	300	17	M10	2,560	6	144
391-095-400	95-104	80	16	400	17	M10	1,780	6	96
391-108-200	108-118	100	16	200	17	M10	1,780	6	144
391-108-300	108-118	100	16	300	17	M10	2,730	6	144
391-108-400	108-118	100	16	400	17	M10	1,780	6	96
391-113-200	113-123	100	16	200	17	M10	2,280	5	160
391-113-300	113-123	100	16	300	17	M10	3,650	5	120
391-113-400	113-123	100	16	400	17	M10	3,650	5	80
391-118-200	118-128	100	16	200	17	M10	1,890	5	160
391-118-300	118-128	100	16	300	17	M10	2,860	5	120
391-118-400	118-128	100	16	400	17	M10	5,000	5	80
391-120-200	120-131	100	16	200	17	M10	2,390	5	160
391-120-300	120-131	100	16	300	17	M10	3,700	5	90
391-132-200	132-142	125	16	200	19	M12	2,320	4	128
391-132-300	132-142	125	16	300	19	M12	3,830	4	96
391-135-200	135-145	125	16	200	19	M12	2,320	4	128
391-135-300	135-145	125	16	300	19	M12	3,490	4	96
391-139-200	139-149	125	16	200	19	M12	2,370	4	128
391-139-300	139-149	125	16	300	19	M12	3,560	4	96
391-139-400	139-149	125	16	400	19	M12	3,560	1	64
391-145-200	145-155	125	16	200	19	M12	2,570	4	128
391-145-300	145-155	125	16	300	19	M12	3,660	4	96
391-159-200	159-170	150	16	200	19	M12	2,530	3	96
391-159-300	159-170	150	16	300	19	M12	3,730	3	72
391-159-400	159-170	150	16	400	19	M12	2,530	3	48
391-167-200	167-178	150	16	200	19	M12	2,580	3	96
391-167-300	167-178	150	16	300	19	M12	3,920	3	72
391-167-400	167-178	150	16	400	19	M12	5,170	3	48

FRIACLAMP stainless steel repair clamp, one-piece

Reference	Diameter	DN	PN	L	SW	Screws (pc. / size)	Weight [kg]	BX	Pallet quantity
391-176-200	176-187	150	16	200	19	M12	2,810	3	96
391-176-300	176-187	150	16	300	19	M12	3,150	3	72
391-176-400	176-187	150	16	400	19	M12	6,100	3	48
391-193-200	193-203	175	10	200	19	M12	4,520	1	36
391-193-300	193-203	175	10	300	19	M12	4,520	1	36
391-215-200	215-225	200	10	200	19	M12	3,150	1	32
391-215-300	215-225	200	10	300	19	M12	4,760	1	24
391-215-400	215-225	200	10	400	19	M12	3,150	1	16
391-228-300	228-239	200	10	300	19	M12	6,380	1	24
391-240-300	240-250	225	10	300	19	M12	5,400	1	24
391-261-300	261-271	250	10	300	19	M12	5,650	1	24
391-269-300	269-280	250	10	300	19	M12	5,750	1	24
391-280-300	280-291	250	10	300	19	M12	5,890	1	24
391-315-300	315-325	300	10	300	19	M12	6,320	1	24
391-320-300	320-330	300	10	300	19	M12	6,380	1	24

Gasket NBR, DIN-EN 682

MOP gas maximum = 5 bar

Other water qualities maximum = 16 bar

Reference	Diameter	DN	PN	L	SW	Screws (pc. / size)	Weight [kg]	BX	Pallet quantity
381-044-200	44-48	40	5	200	17	M10	1,750	10	320
381-048-200	48-52	40	5	200	17	M10	1,330	10	320
381-048-300	48-52	40	5	300	17	M10	2,740	10	240
381-054-200	54-58	50	5	200	17	M10	1,380	10	320
381-054-300	54-58	50	5	300	17	M10	2,080	10	240
381-060-200	60-67	50	5	200	17	M10	1,410	10	320
381-060-300	60-67	50	5	300	17	M10	2,800	10	240
381-070-200	70-77	65	5	200	17	M10	1,470	9	288
381-075-200	75-83	65	5	200	17	M10	1,500	9	288
381-075-300	75-83	65	5	300	17	M10	2,260	9	216
381-082-200	82-89	80	5	200	17	M10	1,540	9	288
381-082-300	82-89	80	5	300	17	M10	2,320	9	216
381-087-200	87-95	80	5	200	17	M10	1,600	9	288
381-087-300	87-95	80	5	300	17	M10	2,440	9	216

FRIACLAMP stainless steel repair clamp, one-piece

Reference	Diameter	DN	PN	L	SW	Screws (pc. / size)	Weight [kg]	BX	Pallet quantity
381-088-200	88-98	80	5	200	17	M10	2,020	8	256
381-095-200	95-104	100	5	200	17	M10	1,710	6	192
381-095-300	95-104	100	5	300	17	M10	2,560	6	144
381-108-200	108-118	100	5	200	17	M10	1,780	6	144
381-108-300	108-118	100	5	300	17	M10	2,730	6	144
381-108-400	108-118	100	5	400	17	M10	3,600	6	96
381-113-200	113-123	100	5	200	17	M10	2,280	5	160
381-113-300	113-123	100	5	300	17	M10	2,740	5	120
381-113-400	113-123	100	5	400	17	M10	3,650	5	80
381-120-200	120-131	100	5	200	17	M10	2,390	5	160
381-132-200	132-142	125	5	200	19	M12	2,320	4	128
381-132-300	132-142	125	5	300	19	M12	3,830	4	96
381-135-300	135-145	125	5	300	19	M12	3,490	4	96
381-139-300	139-149	125	5	300	19	M12	3,560	4	96
381-159-200	159-170	150	5	200	19	M12	2,530	3	96
381-159-300	159-170	150	5	300	19	M12	3,730	3	72
381-159-400	159-170	150	5	400	19	M12	4,800	3	48
381-167-200	167-178	150	5	200	19	M12	2,580	3	96
381-167-300	167-178	150	5	300	19	M12	3,920	3	72
381-167-400	167-178	150	5	400	19	M12	5,170	3	48
381-215-200	215-225	200	5	200	19	M12	3,150	1	32
381-215-300	215-225	200	5	300	19	M12	4,760	1	24
381-215-400	215-225	200	5	400	19	M12	6,500	1	16
381-269-300	269-280	250	5	300	19	M12	5,750	1	24
381-320-300	320-330	300	5	300	19	M12	6,380	1	24

FRIACLAMP stainless steel repair clamp, one-piece

Areas of application

FRIACLAMP repair clamps for secure sealing of damaged pipes made of different materials (steel, cast iron, ductile iron, asbestos cement, PVC). Available from DN 40 to DN 300. Also available in two-piece design.

FRIACLAMP repair clamps can be used with the standard NBR gasket for gas, water and wastewater.

Processing instructions

FRIACLAMP can be used to reliably seal damaged pipes. The installation length of the repair clamp should be selected so that it corresponds at least to the outside diameter of the pipe to be repaired.

The pipe surfaces must be prepared in accordance with the general installation requirements (see FRIACLAMP installation instructions).

* Permissible operating pressure:

Gas: Permitted operating pressure 5 bar (\leq DN 300).

Water: Permitted operating pressure:

\leq DN 200 PN 16

> DN 200 PN 10

> DN 300 on request.

Good reasons for FRIACLAMP

- Quick locking System with Nuts and Bolts in V2A
- No welded parts
- Seal with large unique profile
- Dovetail-shaped sealing webs form sealing lips when pressed against the pipe surface
- Secure sealing even on corroded pipe surfaces
- No sharp edges
- No loose parts when opening the one-piece and two-piece repair clamps enable time-saving installation
- Movable handle ensures easy installation with minimum installation space requirements
- Optimized locking mechanism ensures defined pretensioning of each bolt
- Assembly possible with standard tools