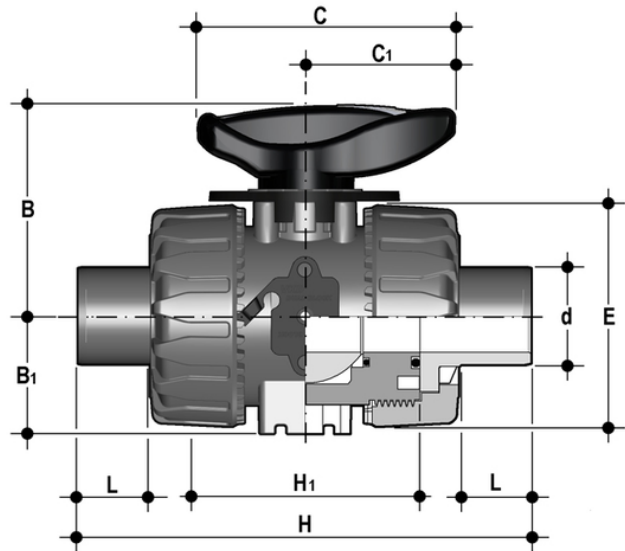


VKRDM - DUAL BLOCK® regulating ball valve DN 10:50

DUAL BLOCK® regulating ball valve with male ends for socket welding, metric series.



EPDM

Reference	d	DN	PN	B	B ₁	C	C ₁	E	H	H ₁	L	g
VKRDM020E	20	15	10	54	29	67	40	54	144	70	18	222
VKRDM025E	25	20	10	65	34,5	85	49	65	154	78	20	303
VKRDM032E	32	25	10	69,5	39	85	49	73	174	88	22	485
VKRDM040E	40	32	10	82,5	46	108	64	86	194	93	23	672
VKRDM050E	50	40	10	89	52	108	64	98	224	111	29	1176
VKRDM063E	63	50	10	108	62	134	76	122	224	111	38	1607

FKM

Reference	d	DN	PN	B	B ₁	C	C ₁	E	H	H ₁	L	g
VKRDM020F	20	15	10	54	29	67	40	54	144	70	18	222
VKRDM025F	25	20	10	65	34,5	85	49	65	154	78	20	303
VKRDM032F	32	25	10	69,5	39	85	49	73	174	88	22	485
VKRDM040F	40	32	10	82,5	46	108	64	86	194	93	23	672
VKRDM050F	50	40	10	89	52	108	64	98	224	111	29	1176
VKRDM063F	63	50	10	108	62	134	76	122	224	111	38	1607

All information subject to change.

Please contact us on <https://www.aliaxis.co.uk/get-in-touch> for further informations