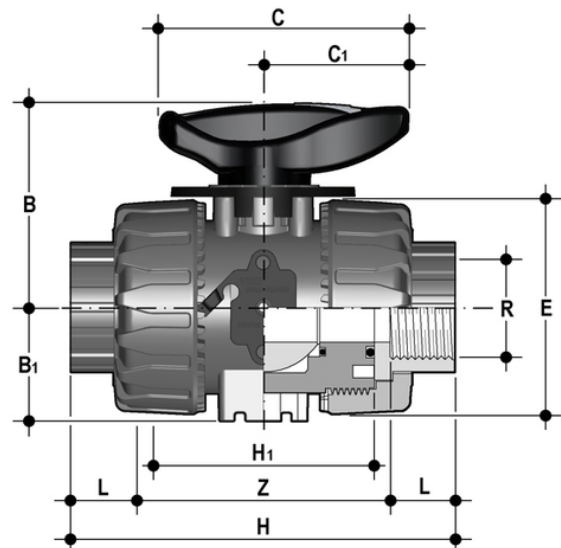


VKRFM – DUAL BLOCK® regulating ball valve DN 10:50

DUAL BLOCK® regulating ball valve with BSP threaded female ends.

The VKR DUAL BLOCK® valve combines high reliability and safety aspects typical of VKD full bore ball valves with the new flow adjustment function with typical linear curve that meets the most stringent needs typical of industrial applications.

- HIPVC ergonomic multifunctional handle with **position indicator** and tool to adjust the ball seat carrier
- Flow direction and opening angle indication plate with **graduated scale with 5° detail** for clear and accurate readings
- 90° operating angle that permits **the use of standard** quarter turn **actuators**
- The patented ball design provides **linear flow adjustment** throughout its range of operation even when the valve is open just a few degrees and guarantees minimum pressure drops
- Patented **DUAL BLOCK®** system: prevents union nuts from loosening even under extreme operating conditions: e.g. vibration or thermal expansion
- Connection system for solvent weld, threaded and flanged joints
- Patented **SEAT STOP®** ball carrier system that lets you micro-adjust seals and minimise the axial force effect
- Easy radial dismounting allowing quick replacement of O-rings and ball seats without any need for tools
- **PN16 True Union valve body** made for rigid PVC-U injection moulding equipped with built-in bores for actuation. ISO 9393 compliant test requisites
- Option of dismounting downstream pipes with the valve in the closed position
- High surface finish stem with double O-Ring and double connection key to ball
- **Integrated bracket** for valve anchoring
- Ball seat carrier can be adjusted using the **Easytorque adjustment kit**
- Actuation option: version with electric modulating actuator with 4-20 mA / 0-10 V inlet and 4-20 mA / 0-10 V outlet to monitor the position
- Valve suitable for carrying fluids that are clean and free of suspended particles



EPDM

All information subject to change.

Please contact us on <https://www.aliaxis.co.uk/get-in-touch> for further informations

VKRFM – DUAL BLOCK® regulating ball valve DN 10:50

Reference	R	DN	PN	B	B ₁	C	C ₁	E	H	H ₁	L	Z	g
VKRFM038E	3/8"	10	10	54	29	67	40	54	103	65	15	80	145
VKRFM012E	1/2"	15	10	54	29	67	40	54	110	65	16	83	220
VKRFM034E	3/4"	20	10	65	34,5	85	49	65	116	70	19	96	298
VKRFM100E	1"	25	10	69,5	39	85	49	73	134	78	21	110	488
VKRFM114E	1" 1/4	32	10	82,5	46	108	64	86	153	88	21	113	682
VKRFM112E	1" 1/2	40	10	89	52	108	64	98	156	93	26	135	1161
VKRFM200E	2"	50	10	108	62	134	76	122	186	111	26	135	1667

FKM

Reference	R	DN	PN	B	B ₁	C	C ₁	E	H	H ₁	L	Z	g
VKRFM038F	3/8"	10	10	54	29	67	40	54	103	65	15	80	145
VKRFM012F	1/2"	15	10	54	29	67	40	54	110	65	16	83	220
VKRFM034F	3/4"	20	10	65	34,5	85	49	65	116	70	19	96	298
VKRFM100F	1"	25	10	69,5	39	85	49	73	134	78	21	110	488
VKRFM114F	1" 1/4	32	10	82,5	46	108	64	86	153	88	21	113	682
VKRFM112F	1" 1/2	40	10	89	52	108	64	98	156	93	26	135	1181
VKRFM200F	2"	50	10	108	62	134	76	122	186	111	26	135	1667