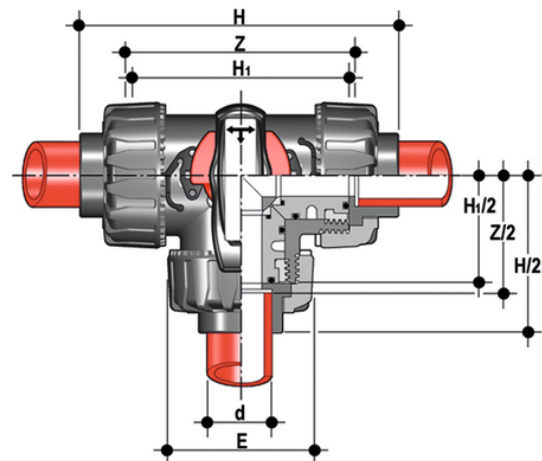


# TKDIM - DUAL BLOCK® 3-way ball valve DN 15:50

DUAL BLOCK® 3-way ball valve with metric plain socket ends for socket welding, - T bore.

FIP has developed a TKD DUAL BLOCK® ball valve to introduce a high reference standard in thermoplastic valve design. TKD is a True Union diverting and mixing ball valve that meets the most stringent needs required in industrial applications.

- Ergonomic HIPVC handle equipped with removable tool to adjust the ball seat carrier. Possibility of installing the **LTKD stroke limiter** (available as an accessory) that permits ball and handle rotation only for set opening and closing angles at 90° or 180°
- **Handle lock 0°- 90° SHKD** (available as an accessory) ergonomically operable during service and padlockable
- **DUAL BLOCK®** patented lock system that ensures union nut tightening hold even in severe conditions such as vibrations or heat dilation
- **Ball shutter** high surface finish with floating type full passage with **T or L port**
- **4 PTFE ball seat system** that compensates axial force guaranteeing optimal manageability and long working life
- Connection system for weld and threaded joints
- Patented **SEAT STOP®** ball seat carrier system that lets you micro-adjust ball seats and minimise axial force effects
- Easy radial disassembly allowing quick replacement of O-rings and ball seats without any need for tools
- PN10 **True Union valve body** made for PP-H injection moulding equipped with built-in bores for actuation. ISO 9393 compliant test requisites
- Option of disassembling downstream pipes with the valve in the closed position
- High surface finish stem with double O-Ring and double groove ball connection, equipped with **optical position indicator** for correct handle installation
- **Integrated bracket** for valve anchoring
- Possibility of installing pneumatic and/or electric actuators thanks to the robust integrated bracket for valve anchoring for easy and quick automation using the Power Quick module (optional)
- Possibility to have handle with integrated LSQT limit micro switch, even as a retrofit in existing installations



## EPDM

All information subject to change.

Please contact us on <https://www.aliaxis.co.uk/get-in-touch> for further informations

# TKDIM - DUAL BLOCK® 3-way ball valve DN 15:50

Reference	d	DN	PN	E	H	H1	Z	g
TKDIM020E	20	15	10	54	117	80	88	195
TKDIM025E	25	20	10	65	144	100	112	350
TKDIM032E	32	25	10	73	158	110	122	505
TKDIM040E	40	32	10	86	184	131	143	820
TKDIM050E	50	40	10	98	219	148	172	1070
TKDIM063E	63	50	10	122	267	179	212	1795

## FKM

Reference	d	DN	PN	E	H	H1	Z	g
TKDIM020F	20	15	10	54	117	80	88	195
TKDIM025F	25	20	10	65	144	100	112	350
TKDIM032F	32	25	10	73	158	110	122	505
TKDIM040F	40	32	10	86	184	131	143	820
TKDIM050F	50	40	10	98	219	148	172	1070
TKDIM063F	63	50	10	122	267	179	212	1795