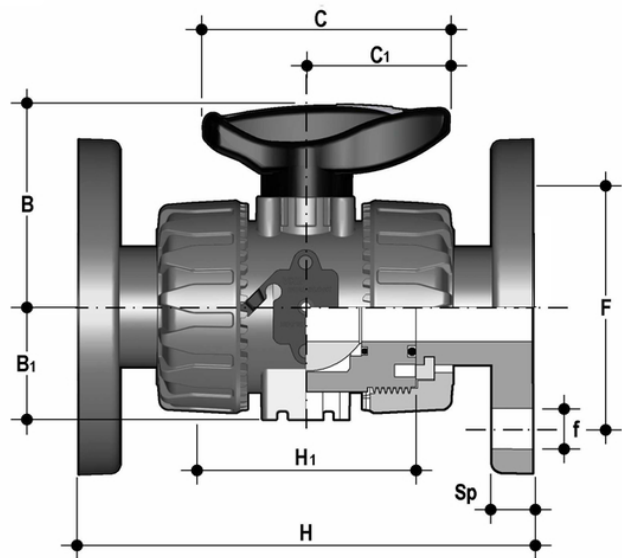


VKDOAF - DUAL BLOCK® 2-way ball valve DN 10:50

DUAL BLOCK® 2-way ball valve with fixed flanges, drilled ANSI B16.5 cl.150 #FF.

FIP has developed a VKD DUAL BLOCK® ball valve to introduce a high reference standard in thermoplastic valve design. VKD is a True Union ball valve that meets the most stringent needs required by industrial applications.

- Ergonomic HIPVC handle equipped with **removable tool to adjust the ball seat carrier**
- **Handle lock 0°- 90°** SHKD (available as an accessory) ergonomically operable during service and padlockable
- Robust **integrated bracket for valve anchoring**, for easy and quick automation even after valve installation on the system via the Power Quick module (optional)
- **DUAL BLOCK®** patented lock system that ensures union nut tightening hold even in severe conditions such as vibrations or heat dilation
- Machined high surface finish ball that guarantees a smooth operation and increased reliability
- Connection system for solvent weld, threaded and flanged joints
- Patented **SEAT STOP®** ball carrier system that lets you micro-adjust ball seats and minimise the axial force effect
- Easy radial dismounting allowing quick replacement of O-rings and ball seats without any need for tools
- **PN16 True Union valve body** made for rigid PVC-U injection moulding equipped with built-in bores for actuation. ISO 9393 compliant test requisites
- Option of dismounting downstream pipes with the valve in the closed position
- Floating **full bore ball** with high surface finish
- **Integrated bracket** for valve anchoring
- Ball seat carriers can be adjusted using the **Easytorque adjustment kit**
- Possibility to have handle with integrated LSQT limit micro switch, even as a retrofit in existing installations



Reference	d	DN	PN	B	B ₁	C	C ₁	F	f	H	H ₁	Sp	U	g
VKDOAF012F	1/2"	15	16	54	29	67	40	60,3	15,9	143	65	11	4	547
VKDOAF034F	3/4"	20	16	65	34,5	85	49	69,9	15,9	172	70	14	4	772
VKDOAF100F	1"	25	16	69,5	39	85	49	79,4	15,9	187	78	14	4	1024

All information subject to change.

Please contact us on <https://www.aliaxis.co.uk/get-in-touch> for further informations



VKDOAF - DUAL BLOCK® 2-way ball valve DN 10:50

Reference	d	DN	PN	B	B ₁	C	C ₁	F	f	H	H ₁	Sp	U	g
VKDOAF112F	1" 1/2	40	16	89	52	108	64	98,4	15,9	212	93	16	4	2024
VKDOAF114F	1" 1/4	32	16	82,5	46	108	64	88,9	15,9	190	88	14	4	1583
VKDOAF200F	2"	50	16	108	62	134	76	120,7	19,1	234	111	16	4	3219

All information subject to change.

Please contact us on <https://www.aliasis.co.uk/get-in-touch> for further informations

