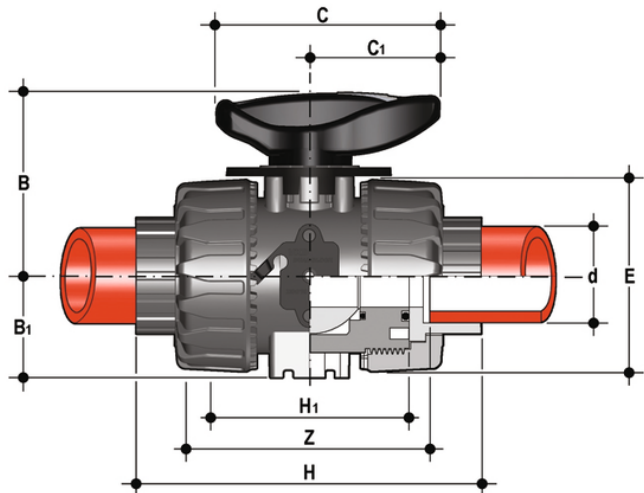


VKRIF – DUAL BLOCK® regulating ball valve DN 10:50

DUAL BLOCK® regulating ball valve with female ends for socket welding, metric series.

The VKR DUAL BLOCK® valve combines high reliability and safety aspects typical of VKD full bore ball valves with the new flow adjustment function with typical linear curve that meets the most stringent needs typical of industrial applications.

- HIPVC ergonomic multifunctional handle with **position indicator** and tool to adjust the ball seat carrier
- Flow direction and opening angle indication plate with **graduated scale with 5° detail** for clear and accurate readings
- 90° operating angle that permits **the use of standard** quarter turn **actuators**
- The patented ball design provides **linear flow adjustment** throughout its range of operation even when the valve is open just a few degrees and guarantees minimum pressure drops
- Patented **DUAL BLOCK®** system: prevents union nuts from loosening even under extreme operating conditions: e.g. vibration or thermal expansion
- Connection system for solvent weld, threaded and flanged joints
- Patented **SEAT STOP®** ball carrier system that lets you micro-adjust seals and minimise the axial force effect
- Easy radial dismounting allowing quick replacement of O-rings and ball seats without any need for tools
- **PN16 True Union valve body** made for rigid PVC-U injection moulding equipped with built-in bores for actuation. ISO 9393 compliant test requisites
- Option of dismounting downstream pipes with the valve in the closed position
- High surface finish stem with double O-Ring and double connection key to ball
- **Integrated bracket** for valve anchoring
- Ball seat carrier can be adjusted using the **Easytorque adjustment kit**
- Actuation option: version with electric modulating actuator with 4-20 mA / 0-10 V inlet and 4-20 mA / 0-10 V outlet to monitor the position
- Valve suitable for carrying fluids that are clean and free of suspended particles



Reference	d	DN	PN	B	B ₁	C	C ₁	E	H	H ₁	Z	g
VKRIF016F	16	10	16	54	29	67	40	54	102	65	74,5	291
VKRIF020F	20	15	16	54	29	67	40	54	102	65	73	272

All information subject to change.

Please contact us on <https://www.aliaxis.co.uk/get-in-touch> for further informations



VKRIF - DUAL BLOCK® regulating ball valve DN 10:50

Reference	d	DN	PN	B	B ₁	C	C ₁	E	H	H ₁	Z	g
VKRIF025F	25	20	16	65	34,5	85	49	65	114	70	82	445
VKRIF032F	32	25	16	69,5	39	85	49	73	126	78	90	584
VKRIF040F	40	32	16	82,5	46	108	64	86	141	88	100	938
VKRIF050F	50	40	16	89	52	108	64	98	164	93	117	1242
VKRIF063F	63	50	16	108	62	134	76	122	199	111	144	2187

All information subject to change.

Please contact us on <https://www.aliaxis.co.uk/get-in-touch> for further informations

