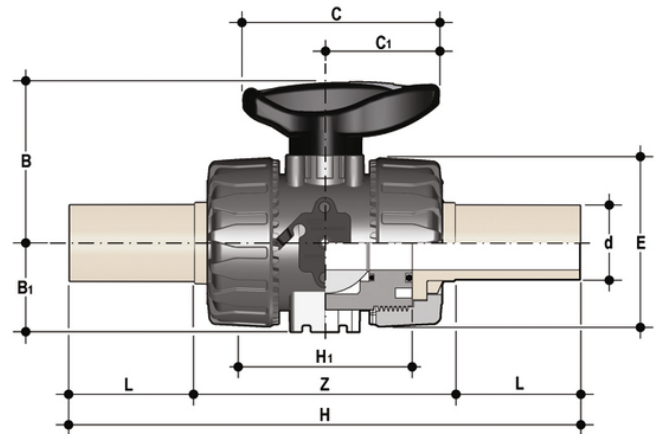


VKDBM - DUAL BLOCK® 2-way ball valve DN 10:50

DUAL BLOCK® 2-way ball valve with long spigot male ends in PP-H SDR 11 for butt welding or electrofusion (CVDM).

FIP has developed a VKD DUAL BLOCK® ball valve to introduce a high reference standard in thermoplastic valve design. VKD is a True Union ball valve that meets the most stringent needs required by industrial applications.

- Ergonomic HIPVC handle equipped with **removable tool to adjust the ball seat carrier**.
- **Handle lock 0°- 90°** SHKD (available as an accessory) ergonomically operable during service and padlockable
- Robust **integrated bracket for valve anchoring**, for easy and quick automation even after valve installation on the system via the Power Quick module (optional)
- **DUAL BLOCK®** patented lock system that ensures union nut tightening hold even in severe conditions such as vibrations or heat dilation
- Machined high surface finish ball that guarantees a smooth operation and increased reliability
- Connection system for solvent weld, threaded and flanged joints
- Patented **SEAT STOP®** ball carrier system that lets you micro-adjust ball seats and minimise the axial force effect
- Easy radial dismounting allowing quick replacement of O-rings and ball seats without any need for tools
- **PN16 True Union valve body** made for rigid PVC-U injection moulding equipped with built-in bores for actuation. ISO 9393 compliant test requisites
- Option of dismounting downstream pipes with the valve in the closed position
- Floating **full bore ball** with high surface finish
- **Integrated bracket** for valve anchoring
- Ball seat carriers can be adjusted using the **Easytorque adjustment kit**
- Possibility to have handle with integrated LSQT limit micro switch, even as a retrofit in existing installations



EPDM

Reference	d	DN	PN	B	B ₁	C	C ₁	E	H	H ₁	L	Z	g
VKDBM020E	20	15	10	54	29	67	40	54	175	65	40,5	94	220

All information subject to change.

Please contact us on <https://www.aliasis.co.uk/get-in-touch> for further informations

VKDBM - DUAL BLOCK® 2-way ball valve DN 10:50

Reference	d	DN	PN	B	B ₁	C	C ₁	E	H	H ₁	L	Z	g
VKDBM025E	25	20	10	65	35	85	49	65	212	70	54	106	340
VKDBM032E	32	25	10	70	39	85	49	73	226	78	56	117	443
VKDBM040E	40	32	10	83	46	108	64	86	246	88	56	131	593
VKDBM050E	50	40	10	89	52	108	64	98	271	93	60,5	145	945
VKDBM063E	63	50	10	108	62	134	76	122	300	111	65,5	161	1607

EPDM

Reference	d	DN	PN	B	B ₁	C	C ₁	E	H	H ₁	L	Z	g
VKDBM020EOLF	20	15	10	54	29	67	40	54	175	65	40,5	94	220
VKDBM025EOLF	25	20	10	65	35	85	49	65	212	70	54	106	340
VKDBM032EOLF	32	25	10	70	39	85	49	73	226	78	56	117	443
VKDBM040EOLF	40	32	10	83	46	108	64	86	246	88	56	131	593
VKDBM050EOLF	50	40	10	89	52	108	64	98	271	93	60,5	145	945
VKDBM063EOLF	63	50	10	108	62	134	76	122	300	111	65,5	161	1607

EPDM

Reference	d	DN	PN	B	B ₁	C	C ₁	E	H	H ₁	L	Z	g
VKDBM020E0SF	20	15	10	54	29	67	40	54	175	65	40,5	94	220
VKDBM025E0SF	25	20	10	65	35	85	49	65	212	70	54	106	340
VKDBM032E0SF	32	25	10	70	39	85	49	73	226	78	56	117	443
VKDBM040E0SF	40	32	10	83	46	108	64	86	246	88	56	131	593
VKDBM050E0SF	50	40	10	89	52	108	64	98	271	93	60,5	145	945
VKDBM063E0SF	63	50	10	108	62	134	76	122	300	111	65,5	161	1607

FKM

Reference	d	DN	PN	B	B ₁	C	C ₁	E	H	H ₁	L	Z	g
VKDBM020F	20	15	10	54	29	67	40	54	175	65	40,5	94	220
VKDBM025F	25	20	10	65	35	85	49	65	212	70	54	106	340
VKDBM032F	32	25	10	70	39	85	49	73	226	78	56	117	443
VKDBM040F	40	32	10	83	46	108	64	86	246	88	56	131	593
VKDBM050F	50	40	10	89	52	108	64	98	271	93	60,5	145	945
VKDBM063F	63	50	10	108	62	134	76	122	300	111	65,5	161	1607

All information subject to change.

Please contact us on <https://www.aliaxis.co.uk/get-in-touch> for further informations

VKDBM - DUAL BLOCK® 2-way ball valve DN 10:50

FKM

Reference	d	DN	PN	B	B ₁	C	C ₁	E	H	H ₁	L	Z	g
VKDBM020FOLF	20	15	10	54	29	67	40	54	175	65	40,5	94	220
VKDBM025FOLF	25	20	10	65	35	85	49	65	212	70	54	106	340
VKDBM032FOLF	32	25	10	70	39	85	49	73	226	78	56	117	443
VKDBM040FOLF	40	32	10	83	46	108	64	86	246	88	56	131	593
VKDBM050FOLF	50	40	10	89	52	108	64	98	271	93	60,5	145	945
VKDBM063FOLF	63	50	10	108	62	134	76	122	300	111	65,5	161	1607

FKM

Reference	d	DN	PN	B	B ₁	C	C ₁	E	H	H ₁	L	Z	g
VKDBM020FOSF	20	15	10	54	29	67	40	54	175	65	40,5	94	220
VKDBM025FOSF	25	20	10	65	35	85	49	65	212	70	54	106	340
VKDBM032FOSF	32	25	10	70	39	85	49	73	226	78	56	117	443
VKDBM040FOSF	40	32	10	83	46	108	64	86	246	88	56	131	593
VKDBM050FOSF	50	40	10	89	52	108	64	98	271	93	60,5	145	945
VKDBM063FOSF	63	50	10	108	62	134	76	122	300	111	65,5	161	1607