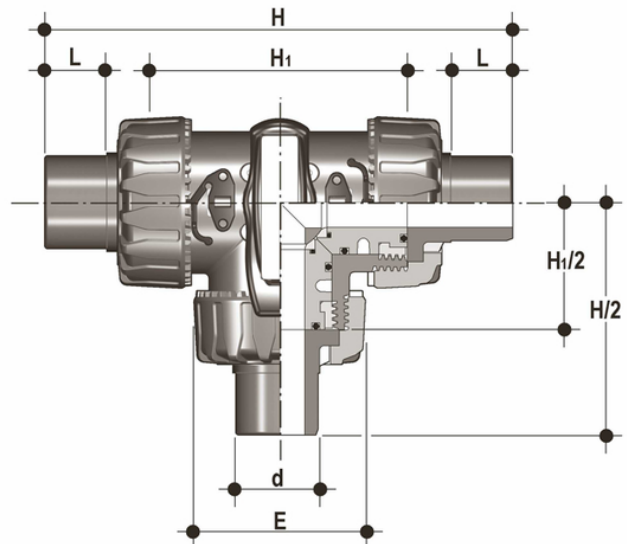


# TKDDV - DUAL BLOCK® 3-way ball valve DN 10:50

DUAL BLOCK® 3-way ball valve with metric plain spigot ends for solvent welding, T bore.

FIP has developed a TKD DUAL BLOCK® ball valve to introduce a high reference standard in thermosplastic valve design. TKD is a True Union diverting and mixing ball valve that meets the most stringent needs required in industrial applications.

- Ergonomic HIPVC handle equipped with removable tool to adjust the ball seat carrier. Possibility of installing the **LTKD stroke limiter** (available as an accessory) that permits ball and handle rotation only for set opening and closing angles at 90° or 180°
- **Handle lock 0°- 90° SHKD** (available as an accessory) ergonomically operable during service and padlockable
- **DUAL BLOCK®** patented lock system that ensures union nut tightening hold even in severe conditions such as vibrations or heat dilation
- **Ball shutter** high surface finish with floating type full passage with **T or L port**
- **4 PTFE ball seat system** that compensates axial force guaranteeing optimal manageability and long working life
- Connection system for solvent weld, threaded and flanged joints
- Patented **SEAT STOP®** ball carrier system that lets you micro-adjust ball seats and minimise axial force effects
- Easy radial dismounting allowing quick replacement of O-rings and ball seats without any need for tools
- **PN16 True Union valve body** made for rigid PVC-U injection moulding equipped with built-in bores for actuation. ISO 9393 compliant test requisites
- Option of dismounting downstream pipes with the valve in the closed position
- High surface finish stem with double O-Ring and double connection key to the ball, equipped with **visual ball position indicator** for correct handle installation
- **Integrated bracket** for valve anchoring
- Possibility of installing pneumatic and/or electric actuators thanks to the robust anchor tower for easy and quick automation using the **Power Quick module** (optional)
- Possibility to have handle with integrated LSQT limit micro switch, even as a retrofit in existing installations



## EPDM

All information subject to change.

Please contact us on <https://www.aliaxis.co.uk/get-in-touch> for further informations

# TKDDV - DUAL BLOCK® 3-way ball valve DN 10:50

Reference	d	DN	PN	E	H	H1	L	g
TKDDV020E	20	15	16	54	140	80	16	320
TKDDV025E	25	20	16	65	175	100	19	565
TKDDV032E	32	25	16	73	188	110	22	810
TKDDV040E	40	32	16	86	220	131	26	1305
TKDDV050E	50	40	16	98	251	148	31	1700
TKDDV063E	63	50	16	122	294	179	38	2850

## FKM

Reference	d	DN	PN	E	H	H1	L	g
TKDDV020F	20	15	16	54	140	80	16	320
TKDDV025F	25	20	16	65	175	100	19	565
TKDDV032F	32	25	16	73	188	110	22	810
TKDDV040F	40	32	16	86	220	131	26	1305
TKDDV050F	50	40	16	98	251	148	31	1700
TKDDV063F	63	50	16	122	294	179	38	2850

All information subject to change.

Please contact us on <https://www.aliaxis.co.uk/get-in-touch> for further informations