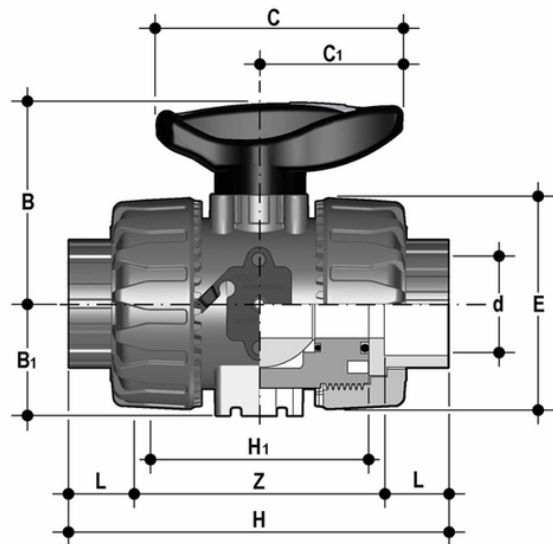


VKDIV - DUAL BLOCK® 2-way ball valve DN 10:50

DUAL BLOCK® 2-way ball valve with female ends for solvent welding, metric series.

FIP has developed a VKD DUAL BLOCK® ball valve to introduce a high reference standard in thermosplastic valve design. VKD is a True Union ball valve that meets the most stringent needs required by industrial applications.

- Ergonomic HIPVC handle equipped with **removable tool to adjust the ball seat carrier**.
- **Handle lock 0°- 90°** SHKD (available as an accessory) ergonomically operable during service and padlockable
- Robust **integrated bracket for valve anchoring**, for easy and quick automation even after valve installation on the system via the Power Quick module (optional)
- **DUAL BLOCK®** patented lock system that ensures union nut tightening hold even in severe conditions such as vibrations or heat dilation
- Machined high surface finish ball that guarantees a smooth operation and increased reliability
- Connection system for solvent weld, threaded and flanged joints
- Patented **SEAT STOP®** ball carrier system that lets you micro-adjust ball seats and minimise the axial force effect
- Easy radial dismounting allowing quick replacement of O-rings and ball seats without any need for tools
- **PN16 True Union valve body** made for rigid PVC-U injection moulding equipped with built-in bores for actuation. ISO 9393 compliant test requisites
- Option of dismounting downstream pipes with the valve in the closed position
- Floating **full bore ball** with high surface finish
- **Integrated bracket** for valve anchoring
- Ball seat carriers can be adjusted using the **Easytorque adjustment kit**
- Possibility to have handle with integrated LSQT limit micro switch, even as a retrofit in existing installations



EPDM

Reference	d	DN	PN	B	B ₁	C	C ₁	E	H	H ₁	L	Z	g
VKDIV016E	16	10	16	54	29	67	40	54	103	65	14	75	215

All information subject to change.

Please contact us on <https://www.aliasis.co.uk/get-in-touch> for further informations

VKDIV - DUAL BLOCK® 2-way ball valve DN 10:50

Reference	d	DN	PN	B	B ₁	C	C ₁	E	H	H ₁	L	Z	g
VKDIV020E	20	15	16	54	29	67	40	54	103	65	16	71	205
VKDIV025E	25	20	16	65	34,5	85	49	65	115	70	19	77	330
VKDIV032E	32	25	16	69,5	39	85	49	73	128	78	22	84	438
VKDIV040E	40	32	16	82,5	46	108	64	86	146	88	26	94	693
VKDIV050E	50	40	16	89	52	108	64	98	164	93	31	102	925
VKDIV063E	63	50	16	108	62	134	76	122	199	111	38	123	1577

EPDM-Lubricant Free

Reference	d	DN	PN	B	B ₁	C	C ₁	E	H	H ₁	L	Z	g
VKDIV016EOLF	16	10	16	54	29	67	40	54	103	65	14	75	215
VKDIV020EOLF	20	15	16	54	29	67	40	54	103	65	16	71	205
VKDIV025EOLF	25	20	16	65	34,5	85	49	65	115	70	19	77	330
VKDIV032EOLF	32	25	16	69,5	39	85	49	73	128	78	22	84	438
VKDIV040EOLF	40	32	16	82,5	46	108	64	86	146	88	26	94	693
VKDIV050EOLF	50	40	16	89	52	108	64	98	164	93	31	102	925
VKDIV063EOLF	63	50	16	108	62	134	76	122	199	111	38	123	1577

EPDM-Silicone free

Reference	d	DN	PN	B	B ₁	C	C ₁	E	H	H ₁	L	Z	g
VKDIV016E0SF	16	10	16	54	29	67	40	54	103	65	14	75	215
VKDIV020E0SF	20	15	16	54	29	67	40	54	103	65	16	71	205
VKDIV025E0SF	25	20	16	65	34,5	85	49	65	115	70	19	77	330
VKDIV032E0SF	32	25	16	69,5	39	85	49	73	128	78	22	84	438
VKDIV040E0SF	40	32	16	82,5	46	108	64	86	146	88	26	94	693
VKDIV050E0SF	50	40	16	89	52	108	64	98	164	93	31	102	925
VKDIV063E0SF	63	50	16	108	62	134	76	122	199	111	38	123	1577

FKM

Reference	d	DN	PN	B	B ₁	C	C ₁	E	H	H ₁	L	Z	g
VKDIV016F	16	10	16	54	29	67	40	54	103	65	14	75	215
VKDIV020F	20	15	16	54	29	67	40	54	103	65	16	71	205
VKDIV025F	25	20	16	65	34,5	85	49	65	115	70	19	77	330
VKDIV032F	32	25	16	69,5	39	85	49	73	128	78	22	84	438

All information subject to change.

Please contact us on <https://www.aliaxis.co.uk/get-in-touch> for further informations

VKDIV - DUAL BLOCK® 2-way ball valve DN 10:50

Reference	d	DN	PN	B	B ₁	C	C ₁	E	H	H ₁	L	Z	g
VKDIV040F	40	32	16	82,5	46	108	64	86	146	88	26	94	693
VKDIV050F	50	40	16	89	52	108	64	98	164	93	31	102	925
VKDIV063F	63	50	16	108	62	134	76	122	199	111	38	123	1577

FKM-Lubricant Free

Reference	d	DN	PN	B	B ₁	C	C ₁	E	H	H ₁	L	Z	g
VKDIV016FOLF	16	10	16	54	29	67	40	54	103	65	14	75	215
VKDIV020FOLF	20	15	16	54	29	67	40	54	103	65	16	71	205
VKDIV025FOLF	25	20	16	65	34,5	85	49	65	115	70	19	77	330
VKDIV032FOLF	32	25	16	69,5	39	85	49	73	128	78	22	84	438
VKDIV040FOLF	40	32	16	82,5	46	108	64	86	146	88	26	94	693
VKDIV050FOLF	50	40	16	89	52	108	64	98	164	93	31	102	925
VKDIV063FOLF	63	50	16	108	62	134	76	122	199	111	38	123	1577

FKM-Senza Silicone

Reference	d	DN	PN	B	B ₁	C	C ₁	E	H	H ₁	L	Z	g
VKDIV016FOSF	16	10	16	54	29	67	40	54	103	65	14	75	215
VKDIV020FOSF	20	15	16	54	29	67	40	54	103	65	16	71	205
VKDIV025FOSF	25	20	16	65	34,5	85	49	65	115	70	19	77	330
VKDIV032FOSF	32	25	16	69,5	39	85	49	73	128	78	22	84	438
VKDIV040FOSF	40	32	16	82,5	46	108	64	86	146	88	26	94	693
VKDIV050FOSF	50	40	16	89	52	108	64	98	164	93	31	102	925
VKDIV063FOSF	63	50	16	108	62	134	76	122	199	111	38	123	1577