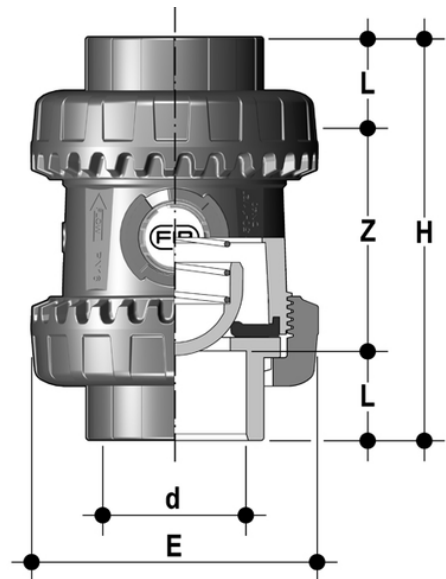


# SSEIC/A316 – Easyfit True Union spring check valve DN 10:50

True Union Spring Check Valve Easyfit with metric plain socket ends for solvent welding. A316 spring.

The SSE Easyfit check valve with spring loaded shutter developed with Giugiaro Design stands out for the innovative installation method that guarantees reliable service over time. This valve is also equipped with a customising Labelling System.

- **Customisable Labelling System: built-in LCE module** on the valve body made up of transparent protection plug and customisable tag holder using the LSE set (available as accessory). The customisation potential **lets you identify the valve on the system** according to specific needs.
- Ideal for horizontal installations: **perfect seal even with low back pressure. Silent** and durable even with strong vibrations and pulsating fluid
- PVC-C shutter and springs available made of STAINLESS steel 316, Hastelloy C276, A316 PTFE encapsulated: maximum reliability in a wide field of applications from salt water to aggressive acids
- Connection system for solvent weld and threaded joints
- Valve material compatibility (PVC-C) **with water conveyance, drinking water and other food substances** according to current regulations
- **PN16 True Union valve body** made for PVC-C injection moulding and European Directive 2014/68/EU (PED) compliant for pressurised equipment. ISO 9393 compliant test requirements
- **Short face to face dimension** according to international regulation ISO 7508 series III "short" and fully interchangeable with VXE DN 10÷50 ball valve models
- Union nuts with rack for tightening adjustment via Easyfit handle or via Easytorque adjustment kit (available as accessories)
- Can be **installed** in either a **vertical** or **horizontal** position



## EPDM

Reference	d	DN	PN	E	H	L	Z	g
SSEIC016E	16	10	16	54	82	14	54	157
SSEIC020E	20	15	16	54	82	16	50	160

All information subject to change.

Please contact us on <https://www.aliasis.co.uk/get-in-touch> for further informations



# SSEIC/A316 - Easyfit True Union spring check valve DN 10:50

Reference	d	DN	PN	E	H	L	Z	g
SSEIC025E	25	20	16	63	91	19	53	198
SSEIC032E	32	25	16	72	103	22	59	315
SSEIC040E	40	32	16	85	120	26	68	481
SSEIC050E	50	40	16	100	139	31	77	688
SSEIC063E	63	50	16	118	174	38	98	1090

## FKM

Reference	d	DN	PN	E	H	L	Z	g
SSEIC016F	16	10	16	54	82	14	54	157
SSEIC020F	20	15	16	54	82	16	50	160
SSEIC025F	25	20	16	63	91	19	53	198
SSEIC032F	32	25	16	72	103	22	59	315
SSEIC040F	40	32	16	85	120	26	68	481
SSEIC050F	50	40	16	100	139	31	77	688
SSEIC063F	63	50	16	118	174	38	98	1090

All information subject to change.

Please contact us on <https://www.aliasis.co.uk/get-in-touch> for further informations

