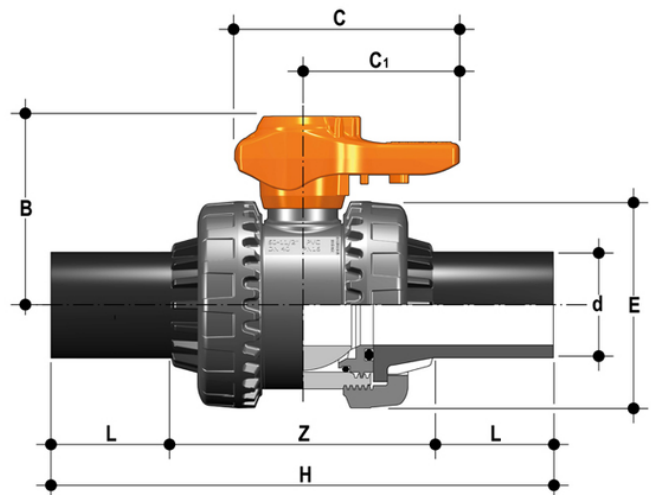


VXEBEV – Easyfit 2-way ball valve DN 10:50

Easyfit 2-way ball valve with PE100 SDR 11 male end connectors for butt welding or electrofusion (CVDE).

FIP and Giugiaro Design designed and developed VXE Easyfit, the innovative True Union ball with union nut tightening control that permits simple and safe installation for reliable service in time. This valve is also equipped with the customisable Labelling System.

- Two position **Easyfit ergonomic multifunctional handle with union nut tightening control** which can be used to **adjust ball seat carriers**. Handle use is especially indicated for **maintenance** work where **space is limited** and hard to access
- **Customisable Labelling System: built-in LCE module** on the handle made up of a transparent protection plug and customisable tag holder with LSE set (available as accessory). The customisation potential lets you **identify the valve on the system** according to specific needs
- **The PTFE ball seat system with locked carrier** adjustable via Easyfit multifunctional handle or Easytorque adjustment kit (available as an accessory)
- High surface finish **valve stem with double O-Ring**, produced in CNC work stations to achieve precise dimensional tolerance and increased reliability
- Machined high surface finish ball that guarantees a smooth operation and increased reliability
- **Patented Easyfit system**: innovative mechanism based on the principle of the bevel gear pair that controls valve union nut rotation during installation
- Connection system for solvent weld and threaded joints
- **Valve material compatibility** (PVC-C) and elastomer **seal elements** (EPDM or FKM), with water, drinking water and other food substances as per **current regulations**
- Easy radial disassembly allowing quick replacement of O-rings and ball seats without any need for tools
- **PN16 True Union valve body** made for PVC-C injection moulding and European Directive 2014/68/EU (PED) compliant for pressurised equipment. ISO 9393 compliant test requirements
- Fully interchangeable with previous VX Ergo series models
- Option of disassembling downstream pipes with the valve in the closed position
- Floating **full bore ball** with high surface finish made in CNC work stations to achieve precise dimensional tolerance and high surface finish



All information subject to change.

Please contact us on <https://www.aliaxis.co.uk/get-in-touch> for further informations

VXEBEV - Easyfit 2-way ball valve DN 10:50

EPDM

Reference	d	DN	PN	B	C	C ₁	E	H	L	Z	g
VXEBEV020E	20	15	16	49	64	44	54	154	40,5	73	180
VXEBEV025E	25	20	16	62	78	55	63	189	54	81	269
VXEBEV032E	32	25	16	71	87	60	72	203	56	91	379
VXEBEV040E	40	32	16	82	102	72	85	221	56	109	591
VXEBEV050E	50	40	16	92	109	76	100	246	60,5	125	851
VXEBEV063E	63	50	16	110	133	94	118	276	65,5	145	1407

FKM

Reference	d	DN	PN	B	C	C ₁	E	H	L	Z	g
VXEBEV020F	20	15	16	49	64	44	54	154	40,5	73	180
VXEBEV025F	25	20	16	62	78	55	63	189	54	81	269
VXEBEV032F	32	25	16	71	87	60	72	203	56	91	379
VXEBEV040F	40	32	16	82	102	72	85	221	56	109	591
VXEBEV050F	50	40	16	92	109	76	100	246	60,5	125	851
VXEBEV063F	63	50	16	110	133	94	118	276	65,5	145	1407

All information subject to change.

Please contact us on <https://www.aliasis.co.uk/get-in-touch> for further informations