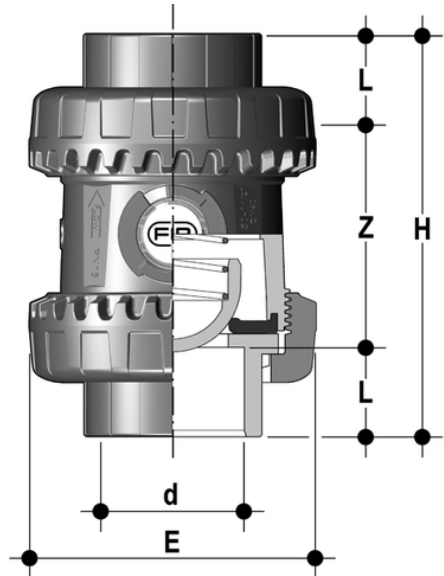


SSEAC/A316 - Easyfit True Union spring check valve DN 10:50

Easyfit spring check valve with female ends for solvent welding, ASTM series. A316 spring.



EPDM

Reference	d	DN	PN	E	H	L	Z	g
SSEAC012E	1/2"	15	16	54	96	22,5	51	158
SSEAC034E	3/4"	20	16	63	105	25,5	54	200
SSEAC100E	1"	25	16	72	117	28,7	59,5	315
SSEAC114E	1" 1/4	32	16	85	136	32	72	505
SSEAC112E	1" 1/2	40	16	100	147	35	77	686
SSEAC200E	2"	50	16	118	174	38,2	97,6	1119

FKM

Reference	d	DN	PN	E	H	L	Z	g
SSEAC012F	1/2"	15	16	54	96	22,5	51	158
SSEAC034F	3/4"	20	16	63	105	25,5	54	200
SSEAC100F	1"	25	16	72	117	28,7	59,5	315
SSEAC114F	1" 1/4	32	16	85	136	32	72	505
SSEAC112F	1" 1/2	40	16	100	147	35	77	686
SSEAC200F	2"	50	16	118	174	38,2	97,6	1119

All information subject to change.

Please contact us on <https://www.aliaxis.co.uk/get-in-touch> for further informations