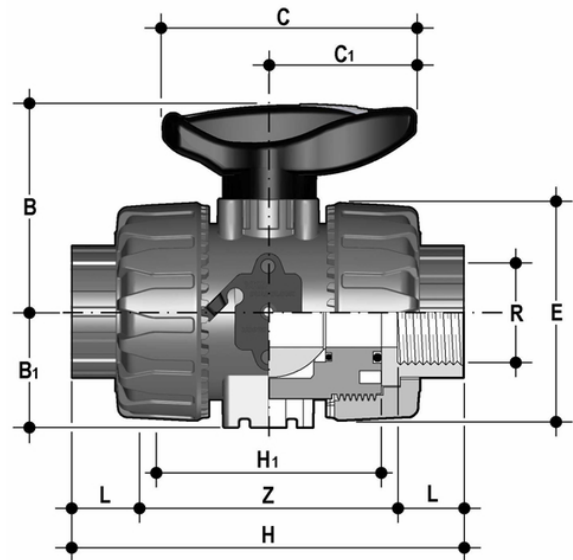


VKDFV - DUAL BLOCK® 2-way ball valve DN 10:50

DUAL BLOCK® 2-way ball valve with BSP threaded female ends.

FIP has developed a VKD DUAL BLOCK® ball valve to introduce a high reference standard in thermosplastic valve design. VKD is a True Union ball valve that meets the most stringent needs required by industrial applications.

- Ergonomic HIPVC handle equipped with **removable tool to adjust the ball seat carrier**.
- **Handle lock 0°- 90°** SHKD (available as an accessory) ergonomically operable during service and padlockable
- Robust **integrated bracket for valve anchoring**, for easy and quick automation even after valve installation on the system via the Power Quick module (optional)
- **DUAL BLOCK®** patented lock system that ensures union nut tightening hold even in severe conditions such as vibrations or heat dilation
- Machined high surface finish ball that guarantees a smooth operation and increased reliability
- Connection system for solvent weld, threaded and flanged joints
- Patented **SEAT STOP®** ball carrier system that lets you micro-adjust ball seats and minimise the axial force effect
- Easy radial dismounting allowing quick replacement of O-rings and ball seats without any need for tools
- **PN16 True Union valve body** made for rigid PVC-U injection moulding equipped with built-in bores for actuation. ISO 9393 compliant test requisites
- Option of dismounting downstream pipes with the valve in the closed position
- Floating **full bore ball** with high surface finish
- **Integrated bracket** for valve anchoring
- Ball seat carriers can be adjusted using the **Easytorque adjustment kit**
- Possibility to have handle with integrated LSQT limit micro switch, even as a retrofit in existing installations



EPDM

Reference	R	DN	PN	B	B ₁	C	C ₁	E	H	H ₁	L	Z	g
VKDFV038E	3/8"	10	16	54	29	67	40	54	103	65	12**	80	215

All information subject to change.

Please contact us on <https://www.aliasis.co.uk/get-in-touch> for further informations



VKDFV - DUAL BLOCK® 2-way ball valve DN 10:50

Reference	R	DN	PN	B	B ₁	C	C ₁	E	H	H ₁	L	Z	g
VKDFV012E	1/2"	15	16	54	29	67	40	54	110	65	15	80	210
VKDFV034E	3/4"	20	16	65	34,5	85	49	65	116	70	16	83	335
VKDFV100E	1"	25	16	69,5	39	85	49	73	134	78	19	96	448
VKDFV114E	1" 1/4	32	16	82,5	46	108	64	86	153	88	21	110	678
VKDFV112E	1" 1/2	40	16	89	52	108	64	98	156	93	21	113	955
VKDFV200E	2"	50	16	108	62	134	76	122	186	111	26	135	1667

FKM

Reference	R	DN	PN	B	B ₁	C	C ₁	E	H	H ₁	L	Z	g
VKDFV038F	3/8"	10	16	54	29	67	40	54	103	65	12**	80	215
VKDFV012F	1/2"	15	16	54	29	67	40	54	110	65	15	80	210
VKDFV034F	3/4"	20	16	65	34,5	85	49	65	116	70	16	83	335
VKDFV100F	1"	25	16	69,5	39	85	49	73	134	78	19	96	448
VKDFV114F	1" 1/4	32	16	82,5	46	108	64	86	153	88	21	110	678
VKDFV112F	1" 1/2	40	16	89	52	108	64	98	156	93	21	113	955
VKDFV200F	2"	50	16	108	62	134	76	122	186	111	26	135	1667

All information subject to change.

Please contact us on <https://www.aliasis.co.uk/get-in-touch> for further informations

