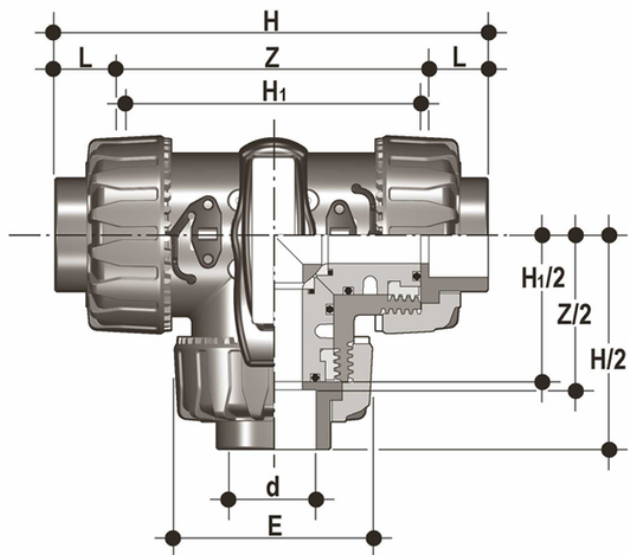


# LKDAC - DUAL BLOCK® 3-way ball valve DN 10:50

DUAL BLOCK® 3-way ball valve with female ends for solvent welding, ASTM series, L-port ball.

FIP has developed a TKD DUAL BLOCK® ball valve to introduce a high reference standard in thermoplastic valve design. TKD is a True Union diverting and mixing ball valve that meets the most stringent needs required in industrial applications.

- Ergonomic HIPVC handle equipped with removable tool to adjust the ball seat carrier. Possibility of installing the **LTKD stroke limiter** (available as an accessory) that permits ball and handle rotation only for set opening and closing angles at 90° or 180°
- **Handle lock 0°- 90° SHKD** (available as an accessory) ergonomically operable during service and padlockable
- **DUAL BLOCK®** patented lock system that ensures union nut tightening hold even in severe conditions such as vibrations or heat dilation
- **Ball shutter** high surface finish with floating type full passage with **T or L port**
- **4 PTFE ball seat system** that compensates axial force guaranteeing optimal manageability and long working life
- Connection system for solvent weld, threaded and flanged joints
- Patented **SEAT STOP®** ball carrier system that lets you micro-adjust ball seats and minimise axial force effects
- Easy radial dismounting allowing quick replacement of O-rings and ball seats without any need for tools
- **PN16 True Union valve body** made for rigid PVC-U injection moulding equipped with built-in bores for actuation. ISO 9393 compliant test requisites
- Option of dismounting downstream pipes with the valve in the closed position
- High surface finish stem with double O-Ring and double connection key to the ball, equipped with **visual ball position indicator** for correct handle installation
- **Integrated bracket** for valve anchoring
- Possibility of installing pneumatic and/or electric actuators thanks to the robust anchor tower for easy and quick automation using the **Power Quick module** (optional)
- Possibility to have handle with integrated LSQT limit micro switch, even as a retrofit in existing installations



## EPDM

All information subject to change.

Please contact us on <https://www.aliaxis.co.uk/get-in-touch> for further informations

# LKDAC - DUAL BLOCK® 3-way ball valve DN 10:50

| Reference | d      | DN | PN | E   | H     | H1  | L    | Z     | g    |
|-----------|--------|----|----|-----|-------|-----|------|-------|------|
| LKDAC012E | 1/2"   | 15 | 16 | 54  | 132,2 | 80  | 23   | 87.2  | 310  |
| LKDAC034E | 3/4"   | 20 | 16 | 65  | 159,2 | 100 | 25.5 | 108.2 | 550  |
| LKDAC100E | 1"     | 25 | 16 | 73  | 174   | 110 | 28.7 | 116.6 | 790  |
| LKDAC114E | 1" 1/4 | 32 | 16 | 86  | 205   | 131 | 32   | 141   | 1275 |
| LKDAC112E | 1" 1/2 | 40 | 16 | 98  | 227.6 | 148 | 35   | 157.6 | 1660 |
| LKDAC200E | 2"     | 50 | 16 | 122 | 267   | 179 | 38,2 | 190.6 | 2800 |

## FKM

| Reference | d      | DN | PN | E   | H     | H1  | L    | Z     | g    |
|-----------|--------|----|----|-----|-------|-----|------|-------|------|
| LKDAC012F | 1/2"   | 15 | 16 | 54  | 132,2 | 80  | 23   | 87.2  | 310  |
| LKDAC034F | 3/4"   | 20 | 16 | 65  | 159,2 | 100 | 25.5 | 108.2 | 550  |
| LKDAC100F | 1"     | 25 | 16 | 73  | 174   | 110 | 28.7 | 116.6 | 790  |
| LKDAC114F | 1" 1/4 | 32 | 16 | 86  | 205   | 131 | 32   | 141   | 1275 |
| LKDAC112F | 1" 1/2 | 40 | 16 | 98  | 227.6 | 148 | 35   | 157.6 | 1660 |
| LKDAC200F | 2"     | 50 | 16 | 122 | 267   | 179 | 38,2 | 190.6 | 2800 |