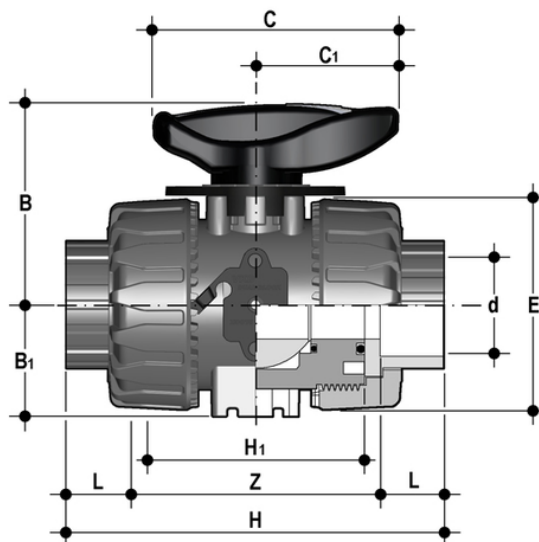


# VKRAV - DUAL BLOCK® regulating ball valve DN 10:50

DUAL BLOCK® regulating ball valve with female ends for solvent welding, ASTM series.



## EPDM

Reference	d	DN	PN	B	B <sub>1</sub>	C	C <sub>1</sub>	E	H	H <sub>1</sub>	L	Z	g
VKRAV038E	3/8"	10	16	54	29	67	40	54	117	65	19,5	78	230
VKRAV012E	1/2"	15	16	54	29	67	40	54	117	65	22,5	72	215
VKRAV034E	3/4"	20	16	65	34,5	85	49	65	129	70	25,5	78	345
VKRAV100E	1"	25	16	69,5	39	85	49	73	142	78	28,7	84,6	448
VKRAV114E	1" 1/4	32	16	82,5	46	108	64	86	162	88	32	98	718
VKRAV112E	1" 1/2	40	16	89	52	108	64	98	172	93	35	102	975
VKRAV200E	2"	50	16	108	62	134	76	122	199	111	38,2	122,6	1712

## FKM

Reference	d	DN	PN	B	B <sub>1</sub>	C	C <sub>1</sub>	E	H	H <sub>1</sub>	L	Z	g
VKRAV038F	3/8"	10	16	54	29	67	40	54	117	65	19,5	78	230
VKRAV012F	1/2"	15	16	54	29	67	40	54	117	65	22,5	72	215
VKRAV034F	3/4"	20	16	65	34,5	85	49	65	129	70	25,5	78	345
VKRAV100F	1"	25	16	69,5	39	85	49	73	142	78	28,7	84,6	448
VKRAV114F	1" 1/4	32	16	82,5	46	108	64	86	162	88	32	98	718
VKRAV112F	1" 1/2	40	16	89	52	108	64	98	172	93	35	102	975

All information subject to change.

Please contact us on <https://www.aliaxis.co.uk/get-in-touch> for further informations



# VKRAV - DUAL BLOCK® regulating ball valve DN 10:50

Reference	d	DN	PN	B	B <sub>1</sub>	C	C <sub>1</sub>	E	H	H <sub>1</sub>	L	Z	g
VKRAV200F	2"	50	16	108	62	134	76	122	199	111	38,2	122,6	1712

All information subject to change.

Please contact us on <https://www.aliasis.co.uk/get-in-touch> for further informations

