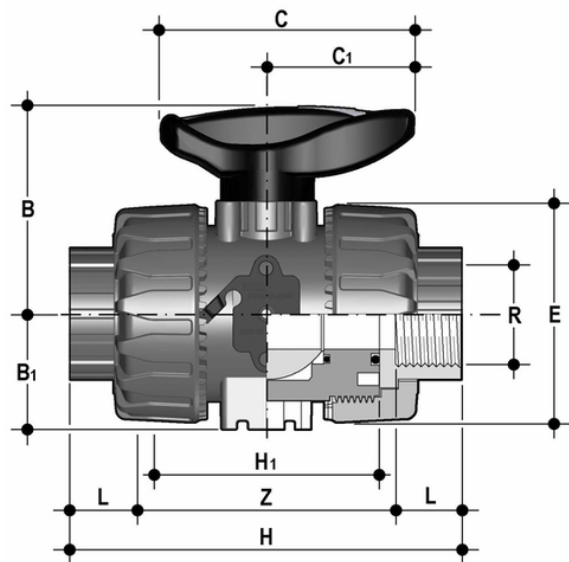


VKDNV - DUAL BLOCK® 2-way ball valve DN 10:50

DUAL BLOCK® 2-way ball valve with female ends, NPT thread.

FIP has developed a VKD DUAL BLOCK® ball valve to introduce a high reference standard in thermosplastic valve design. VKD is a True Union ball valve that meets the most stringent needs required by industrial applications.

- Ergonomic HIPVC handle equipped with **removable tool to adjust the ball seat carrier**.
- **Handle lock 0°- 90°** SHKD (available as an accessory) ergonomically operable during service and padlockable
- Robust **integrated bracket for valve anchoring**, for easy and quick automation even after valve installation on the system via the Power Quick module (optional)
- **DUAL BLOCK®** patented lock system that ensures union nut tightening hold even in severe conditions such as vibrations or heat dilation
- Machined high surface finish ball that guarantees a smooth operation and increased reliability
- Connection system for solvent weld, threaded and flanged joints
- Patented **SEAT STOP®** ball carrier system that lets you micro-adjust ball seats and minimise the axial force effect
- Easy radial dismounting allowing quick replacement of O-rings and ball seats without any need for tools
- **PN16 True Union valve body** made for rigid PVC-U injection moulding equipped with built-in bores for actuation. ISO 9393 compliant test requisites
- Option of dismounting downstream pipes with the valve in the closed position
- Floating **full bore ball** with high surface finish
- **Integrated bracket** for valve anchoring
- Ball seat carriers can be adjusted using the **Easytorque adjustment kit**
- Possibility to have handle with integrated LSQT limit micro switch, even as a retrofit in existing installations



EPDM

Reference	R	DN	PN	B	B ₁	C	C ₁	E	H	H ₁	L	Z	g
VKDNV038E	3/8"	10	16	54	29	67	40	54	103	65	13,7	75,6	215

All information subject to change.

Please contact us on <https://www.aliaxis.co.uk/get-in-touch> for further informations

VKDNV - DUAL BLOCK® 2-way ball valve DN 10:50

Reference	R	DN	PN	B	B ₁	C	C ₁	E	H	H ₁	L	Z	g
VKDNV012E	1/2"	15	16	54	29	67	40	54	111	65	17,8	75,4	210
VKDNV034E	3/4"	20	16	65	34,5	85	49	65	117	70	18	81	335
VKDNV100E	1"	25	16	69,5	39	85	49	73	135	78	22,6	89,8	448
VKDNV114E	1" 1/4	32	16	82,5	46	108	64	86	153	88	25,1	102,8	678
VKDNV112E	1" 1/2	40	16	89	52	108	64	98	156	93	24,7	106,6	955
VKDNV200E	2"	50	16	108	62	134	76	122	186	111	29,6	126,8	1667

FKM

Reference	R	DN	PN	B	B ₁	C	C ₁	E	H	H ₁	L	Z	g
VKDNV038F	3/8"	10	16	54	29	67	40	54	103	65	13,7	75,6	215
VKDNV012F	1/2"	15	16	54	29	67	40	54	111	65	17,8	75,4	210
VKDNV034F	3/4"	20	16	65	34,5	85	49	65	117	70	18	81	335
VKDNV100F	1"	25	16	69,5	39	85	49	73	135	78	22,6	89,8	448
VKDNV114F	1" 1/4	32	16	82,5	46	108	64	86	153	88	25,1	102,8	678
VKDNV112F	1" 1/2	40	16	89	52	108	64	98	156	93	24,7	106,6	955
VKDNV200F	2"	50	16	108	62	134	76	122	186	111	29,6	126,8	1667

All information subject to change.

Please contact us on <https://www.aliasis.co.uk/get-in-touch> for further informations