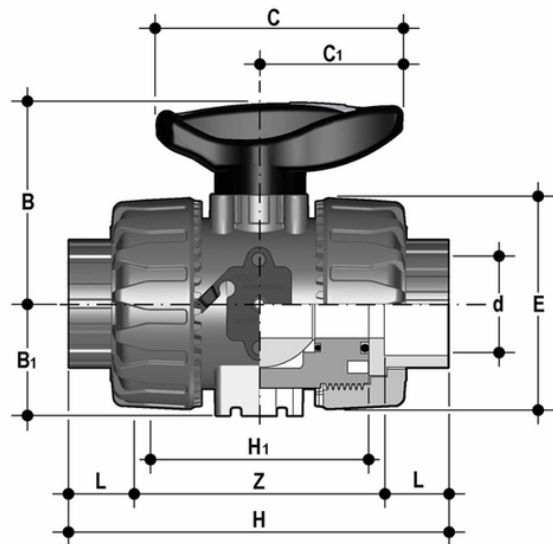


VKDJV - DUAL BLOCK® 2-way ball valve DN 10:50

DUAL BLOCK® 2-way ball valve with female ends for solvent welding, JIS series.

FIP has developed a VKD DUAL BLOCK® ball valve to introduce a high reference standard in thermosplastic valve design. VKD is a True Union ball valve that meets the most stringent needs required by industrial applications.

- Ergonomic HIPVC handle equipped with **removable tool to adjust the ball seat carrier**.
- **Handle lock 0°- 90°** SHKD (available as an accessory) ergonomically operable during service and padlockable
- Robust **integrated bracket for valve anchoring**, for easy and quick automation even after valve installation on the system via the Power Quick module (optional)
- **DUAL BLOCK®** patented lock system that ensures union nut tightening hold even in severe conditions such as vibrations or heat dilation
- Machined high surface finish ball that guarantees a smooth operation and increased reliability
- Connection system for solvent weld, threaded and flanged joints
- Patented **SEAT STOP®** ball carrier system that lets you micro-adjust ball seats and minimise the axial force effect
- Easy radial dismounting allowing quick replacement of O-rings and ball seats without any need for tools
- **PN16 True Union valve body** made for rigid PVC-U injection moulding equipped with built-in bores for actuation. ISO 9393 compliant test requisites
- Option of dismounting downstream pipes with the valve in the closed position
- Floating **full bore ball** with high surface finish
- **Integrated bracket** for valve anchoring
- Ball seat carriers can be adjusted using the **Easytorque adjustment kit**
- Possibility to have handle with integrated LSQT limit micro switch, even as a retrofit in existing installations



EPDM

Reference	d	DN	PN	B	B ₁	C	C ₁	E	H	H ₁	L	Z	g
VKDJV012E	1/2"	15	16	54	29	67	40	54	131	65	30	71	225

All information subject to change.

Please contact us on <https://www.aliasis.co.uk/get-in-touch> for further informations



VKDJV - DUAL BLOCK® 2-way ball valve DN 10:50

Reference	d	DN	PN	B	B ₁	C	C ₁	E	H	H ₁	L	Z	g
VKDJV034E	3/4"	20	16	65	34,5	85	49	65	147	70	35	77	335
VKDJV100E	1"	25	16	69,5	39	85	49	73	164	78	40	84	448
VKDJV114E	1" 1/4	32	16	82,5	46	108	64	86	182	88	44	94	728
VKDJV112E	1" 1/2	40	16	89	52	108	64	98	212	93	55	102	1015
VKDJV200E	2"	50	16	108	62	134	76	122	248	111	63	122	1727

FKM

Reference	d	DN	PN	B	B ₁	C	C ₁	E	H	H ₁	L	Z	g
VKDJV012F	1/2"	15	16	54	29	67	40	54	131	65	30	71	225
VKDJV034F	3/4"	20	16	65	34,5	85	49	65	147	70	35	77	335
VKDJV100F	1"	25	16	69,5	39	85	49	73	164	78	40	84	448
VKDJV114F	1" 1/4	32	16	82,5	46	108	64	86	182	88	44	94	728
VKDJV112F	1" 1/2	40	16	89	52	108	64	98	212	93	55	102	1015
VKDJV200F	2"	50	16	108	62	134	76	122	248	111	63	122	1727

All information subject to change.

Please contact us on <https://www.aliasis.co.uk/get-in-touch> for further informations

