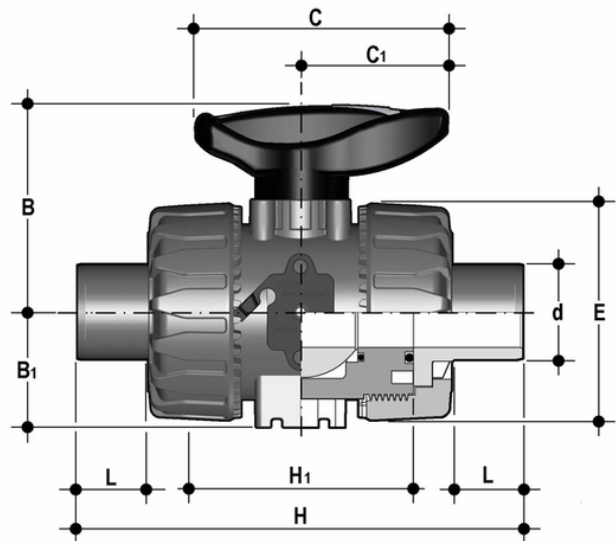


VKDDC - DUAL BLOCK® 2-way ball valve DN 10:50

DUAL BLOCK® 2-way ball valve with male ends for solvent welding, metric series.

FIP has developed a VKD DUAL BLOCK® ball valve to introduce a high reference standard in thermoplastic valve design. VKD is a True Union ball valve that meets the most stringent needs required by industrial applications.

- Ergonomic HIPVC handle equipped with **removable tool to adjust the ball seat carrier**.
- **Handle lock 0°- 90°** SHKD (available as an accessory) ergonomically operable during service and padlockable
- Robust **integrated bracket for valve anchoring**, for easy and quick automation even after valve installation on the system via the Power Quick module (optional)
- **DUAL BLOCK®** patented lock system that ensures union nut tightening hold even in severe conditions such as vibrations or heat dilation
- Machined high surface finish ball that guarantees a smooth operation and increased reliability
- Connection system for solvent weld, threaded and flanged joints
- Patented **SEAT STOP®** ball carrier system that lets you micro-adjust ball seats and minimise the axial force effect
- Easy radial dismounting allowing quick replacement of O-rings and ball seats without any need for tools
- **PN16 True Union valve body** made for rigid PVC-U injection moulding equipped with built-in bores for actuation. ISO 9393 compliant test requisites
- Option of dismounting downstream pipes with the valve in the closed position
- Floating **full bore ball** with high surface finish
- **Integrated bracket** for valve anchoring
- Ball seat carriers can be adjusted using the **Easytorque adjustment kit**
- Possibility to have handle with integrated LSQT limit micro switch, even as a retrofit in existing installations



EPDM

Reference	d	DN	PN	B	B ₁	C	C ₁	E	H	H ₁	L	g
VKDDC020E	20	15	16	54	29	67	40	54	124	65	16	239

All information subject to change.

Please contact us on <https://www.aliasis.co.uk/get-in-touch> for further informations

VKDDC - DUAL BLOCK® 2-way ball valve DN 10:50

Reference	d	DN	PN	B	B ₁	C	C ₁	E	H	H ₁	L	g
VKDDC025E	25	20	16	65	34,5	85	49	65	144	70	19	369
VKDDC032E	32	25	16	69,5	39	85	49	73	154	78	22	482
VKDDC040E	40	32	16	82,5	46	108	64	86	174	88	26	753
VKDDC050E	50	40	16	89	52	108	64	98	194	93	31	1029
VKDDC063E	63	50	16	108	62	134	76	122	224	111	38	1749

FKM

Reference	d	DN	PN	B	B ₁	C	C ₁	E	H	H ₁	L	g
VKDDC020F	20	15	16	54	29	67	40	54	124	65	16	239
VKDDC025F	25	20	16	65	34,5	85	49	65	144	70	19	369
VKDDC032F	32	25	16	69,5	39	85	49	73	154	78	22	482
VKDDC040F	40	32	16	82,5	46	108	64	86	174	88	26	753
VKDDC050F	50	40	16	89	52	108	64	98	194	93	31	1029
VKDDC063F	63	50	16	108	62	134	76	122	224	111	38	1749