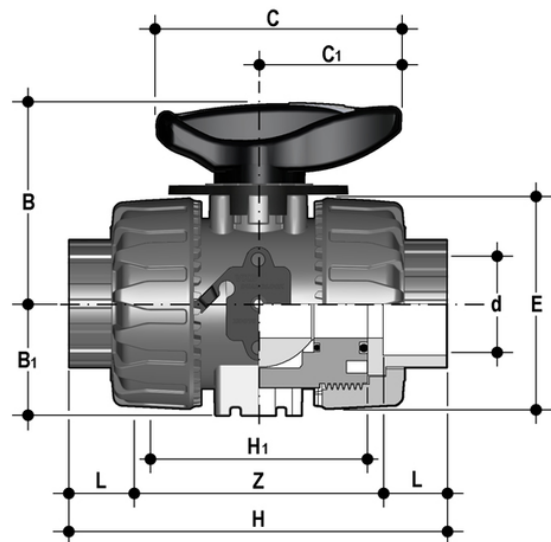


VKRJV - DUAL BLOCK® regulating ball valve DN 10:50

DUAL BLOCK® regulating ball valve with female ends for solvent welding, JIS series.

The VKR DUAL BLOCK® valve combines high reliability and safety aspects typical of VKD full bore ball valves with the new flow adjustment function with typical linear curve that meets the most stringent needs typical of industrial applications.

- HIPVC ergonomic multifunctional handle with **position indicator** and tool to adjust the ball seat carrier
- Flow direction and opening angle indication plate with **graduated scale with 5° detail** for clear and accurate readings
- 90° operating angle that permits **the use of standard** quarter turn **actuators**
- The patented ball design provides **linear flow adjustment** throughout its range of operation even when the valve is open just a few degrees and guarantees minimum pressure drops
- Patented **DUAL BLOCK®** system: prevents union nuts from loosening even under extreme operating conditions: e.g. vibration or thermal expansion
- Connection system for solvent weld, threaded and flanged joints
- Patented **SEAT STOP®** ball carrier system that lets you micro-adjust seals and minimise the axial force effect
- Easy radial dismounting allowing quick replacement of O-rings and ball seats without any need for tools
- **PN16 True Union valve body** made for rigid PVC-U injection moulding equipped with built-in bores for actuation. ISO 9393 compliant test requisites
- Option of dismounting downstream pipes with the valve in the closed position
- High surface finish stem with double O-Ring and double connection key to ball
- **Integrated bracket** for valve anchoring
- Ball seat carrier can be adjusted using the **Easytorque adjustment kit**
- Actuation option: version with electric modulating actuator with 4-20 mA / 0-10 V inlet and 4-20 mA / 0-10 V outlet to monitor the position
- Valve suitable for carrying fluids that are clean and free of suspended particles



EPDM

All information subject to change.

Please contact us on <https://www.aliasis.co.uk/get-in-touch> for further informations

VKRJV - DUAL BLOCK® regulating ball valve DN 10:50

Reference	d	DN	PN	B	B ₁	C	C ₁	E	H	H ₁	L	Z	g
VKRJV012E	1/2"	15	16	54	29	67	40	54	131	65	30	71	225
VKRJV034E	3/4"	20	16	65	34,5	85	49	65	147	70	35	77	335
VKRJV100E	1"	25	16	69,5	39	85	49	73	164	78	40	84	448
VKRJV114E	1" 1/4	32	16	82,5	46	108	64	86	182	88	44	94	728
VKRJV112E	1" 1/2	40	16	89	52	108	64	98	212	93	55	102	1015
VKRJV200E	2"	50	16	108	62	134	76	122	248	111	63	122	1727

FKM

Reference	d	DN	PN	B	B ₁	C	C ₁	E	H	H ₁	L	Z	g
VKRJV012F	1/2"	15	16	54	29	67	40	54	131	65	30	71	225
VKRJV034F	3/4"	20	16	65	34,5	85	49	65	147	70	35	77	335
VKRJV100F	1"	25	16	69,5	39	85	49	73	164	78	40	84	448
VKRJV114F	1" 1/4	32	16	82,5	46	108	64	86	182	88	44	94	728
VKRJV112F	1" 1/2	40	16	89	52	108	64	98	212	93	55	102	1015
VKRJV200F	2"	50	16	108	62	134	76	122	248	111	63	122	1727