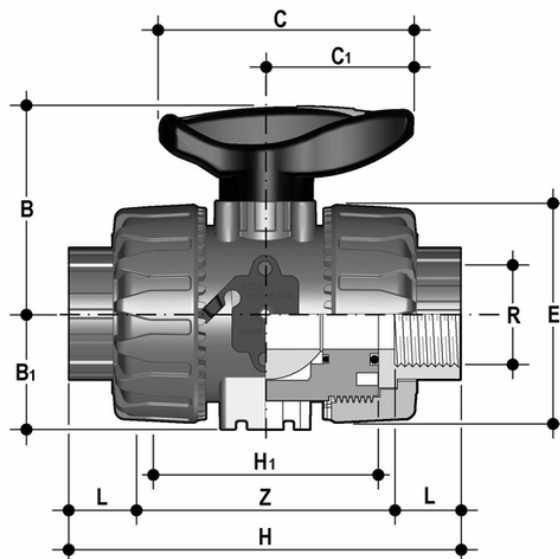


VKDFC - DUAL BLOCK® 2-way ball valve DN 10:50

DUAL BLOCK® 2-way ball valve with BSP threaded female ends.



EPDM

Reference	R	DN	PN	B	B ₁	C	C ₁	E	H	H ₁	L	Z	g
VKDFC012E	1/2"	15	16	54	29	67	40	54	111	65	17,8	75,4	228
VKDFC034E	3/4"	20	16	65	34,5	85	49	65	117	70	18	81	364
VKDFC100E	1"	25	16	69,5	39	85	49	73	135	78	22,6	89,8	487
VKDFC114E	1" 1/4	32	16	82,5	46	108	64	86	153	88	25,1	102,8	737
VKDFC112E	1" 1/2	40	16	89	52	108	64	98	156	93	24,7	106,6	1040
VKDFC200E	2"	50	16	108	62	134	76	122	186	111	29,6	126,8	1815

FKM

Reference	R	DN	PN	B	B ₁	C	C ₁	E	H	H ₁	L	Z	g
VKDFC012F	1/2"	15	16	54	29	67	40	54	110	65	15	80	210
VKDFC034F	3/4"	20	16	65	34,5	85	49	65	116	70	16	83	335
VKDFC100F	1"	25	16	69,5	39	85	49	73	134	78	19	96	448
VKDFC114F	1" 1/4	32	16	82,5	46	108	64	86	153	88	21	110	678
VKDFC112F	1" 1/2	40	16	89	52	108	64	98	156	93	21	113	955
VKDFC200F	2"	50	16	108	62	134	76	122	186	111	26	135	1667

All information subject to change.

Please contact us on <https://www.aliaxis.co.uk/get-in-touch> for further informations