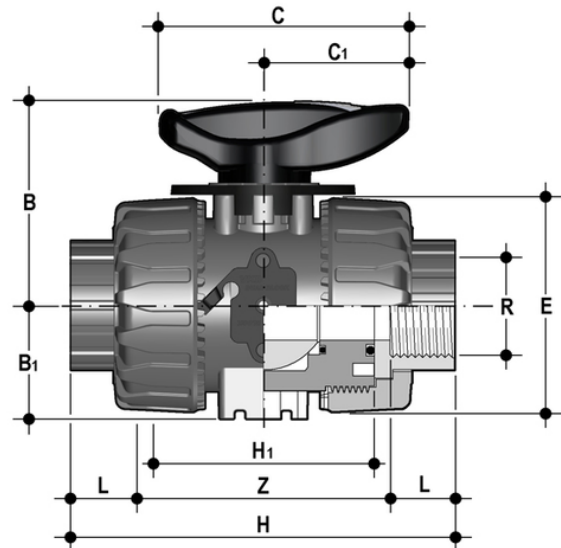


# VKRGV - DUAL BLOCK® regulating ball valve DN 10:50

DUAL BLOCK® regulating ball valve with female ends, JIS thread.

The VKR DUAL BLOCK® valve combines high reliability and safety aspects typical of VKD full bore ball valves with the new flow adjustment function with typical linear curve that meets the most stringent needs typical of industrial applications.

- HIPVC ergonomic multifunctional handle with **position indicator** and tool to adjust the ball seat carrier
- Flow direction and opening angle indication plate with **graduated scale with 5° detail** for clear and accurate readings
- 90° operating angle that permits **the use of standard** quarter turn **actuators**
- The patented ball design provides **linear flow adjustment** throughout its range of operation even when the valve is open just a few degrees and guarantees minimum pressure drops
- Patented **DUAL BLOCK®** system: prevents union nuts from loosening even under extreme operating conditions: e.g. vibration or thermal expansion
- Connection system for solvent weld, threaded and flanged joints
- Patented **SEAT STOP®** ball carrier system that lets you micro-adjust seals and minimise the axial force effect
- Easy radial dismounting allowing quick replacement of O-rings and ball seats without any need for tools
- **PN16 True Union valve body** made for rigid PVC-U injection moulding equipped with built-in bores for actuation. ISO 9393 compliant test requisites
- Option of dismounting downstream pipes with the valve in the closed position
- High surface finish stem with double O-Ring and double connection key to ball
- **Integrated bracket** for valve anchoring
- Ball seat carrier can be adjusted using the **Easytorque adjustment kit**
- Actuation option: version with electric modulating actuator with 4-20 mA / 0-10 V inlet and 4-20 mA / 0-10 V outlet to monitor the position
- Valve suitable for carrying fluids that are clean and free of suspended particles



EPDM

All information subject to change.

Please contact us on <https://www.aliasis.co.uk/get-in-touch> for further informations

# VKRGV - DUAL BLOCK® regulating ball valve DN 10:50

Reference	R	DN	PN	B	B <sub>1</sub>	C	C <sub>1</sub>	E	H	H <sub>1</sub>	L	Z	g
VKRGV012E	1/2"	15	16	54	29	67	40	54	103	65	16	71	210
VKRGV034E	3/4"	20	16	65	34,5	85	49	65	115	70	19	77	330
VKRGV100E	1"	25	16	69,5	39	85	49	73	128	78	22	84	438
VKRGV114E	1" 1/4	32	16	82,5	46	108	64	86	146	88	25	96	678
VKRGV112E	1" 1/2	40	16	89	52	108	64	98	164	93	26	112	975
VKRGV200E	2"	50	16	108	62	134	76	122	199	111	31	137	1627

## FKM

Reference	R	DN	PN	B	B <sub>1</sub>	C	C <sub>1</sub>	E	H	H <sub>1</sub>	L	Z	g
VKRGV012F	1/2"	15	16	54	29	67	40	54	103	65	16	71	210
VKRGV034F	3/4"	20	16	65	34,5	85	49	65	115	70	19	77	330
VKRGV100F	1"	25	16	69,5	39	85	49	73	128	78	22	84	438
VKRGV114F	1" 1/4	32	16	82,5	46	108	64	86	146	88	25	96	678
VKRGV112F	1" 1/2	40	16	89	52	108	64	98	164	93	26	112	975
VKRGV200F	2"	50	16	108	62	134	76	122	199	111	31	137	1627