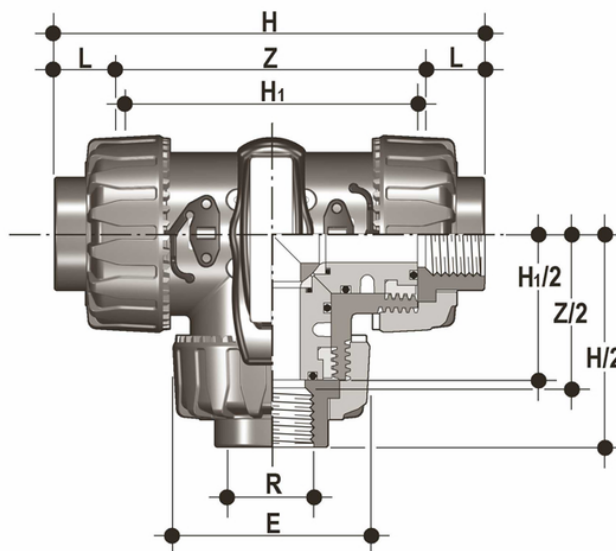


LKDNV - DUAL BLOCK® 3-way ball valve DN 10:50

DUAL BLOCK® 3-way ball valve with female ends, NPT thread, L-port ball.



EPDM

Reference	R	DN	PN	E	H	H1	L	Z	g
LKDNV038E	3/8"	10	16	54	118	80	13.7	90.6	310
LKDNV012E	1/2"	15	16	54	126	80	18	90.4	310
LKDNV034E	3/4"	20	16	65	146.4	100	18	110.4	550
LKDNV100E	1"	25	16	73	166.6	110	22.6	121.4	790
LKDNV114E	1" 1/4	32	16	86	195.8	131	25.1	145.6	1275
LKDNV112E	1" 1/2	40	16	98	211.4	148	24.7	162	1660
LKDNV200E	2"	50	16	122	253.8	179	29.6	194.6	2800

FKM

Reference	R	DN	PN	E	H	H1	L	Z	g
LKDNV038F	3/8"	10	16	54	118	80	13.7	90.6	310
LKDNV012F	1/2"	15	16	54	126	80	18	90.4	310
LKDNV034F	3/4"	20	16	65	146.4	100	18	110.4	550
LKDNV100F	1"	25	16	73	166.6	110	22.6	121.4	790
LKDNV114F	1" 1/4	32	16	86	195.8	131	25.1	145.6	1275
LKDNV112F	1" 1/2	40	16	98	211.4	148	24.7	162	1660
LKDNV200F	2"	50	16	122	253.8	179	29.6	194.6	2800

All information subject to change.

Please contact us on <https://www.aliaxis.co.uk/get-in-touch> for further informations