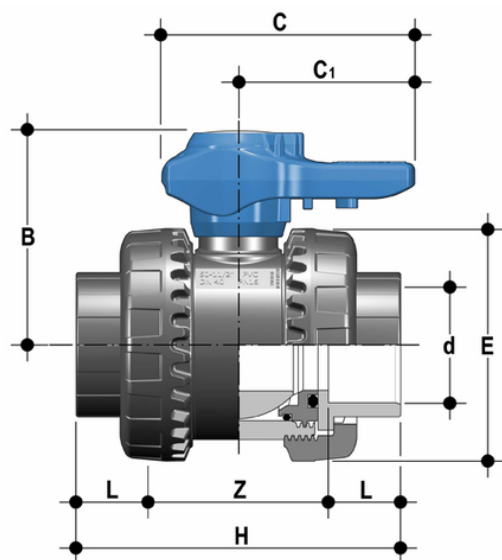


VEEIV – Easyfit 2-way ball valve DN 10:50

Easyfit 2-way ball valve with female ends for solvent welding, metric series.

FIP and Giugiaro Design designed and developed VEE Easyfit, the innovative True Union ball valve with union nut tightening control, that permits simple and safe installation for reliable service in time.

- Two position **Easyfit ergonomic multifunctional handle with union nut tightening control** which can be used to adjust ball seat carriers. Handle use is especially indicated for **maintenance** work where **space is limited** and hard to access
- Settings for the customisable Labelling System using the LCE module (available as an accessory). The grey protection plug housed on the handle can be replaced with the transparent plug and customisable tag holder with the LSE set (available as an accessory). The **customisation** lets you **identify the valve on the system** according to specific needs
- **The PE ball seat system with locked carrier** adjustable via Easyfit multifunctional handle or Easytorque adjustment kit (available as an accessory)
- Machined high surface finish ball that guarantees a smooth operation and increased reliability
- **Patented Easyfit system:** innovative mechanism based on the principle of the bevel gear pair that controls valve union nut rotation during installation.
- Connection system for solvent weld and threaded joints
- **Valve material compatibility** (PVC-U) with water, drinking water and other food substance conveyance according to **current regulations**
- Easy radial dismounting allowing quick replacement of O-rings and ball seats without any need for tools
- **PN16 True Union valve body** made for PVC-U injection moulding and European Directive 2014/68/EU (PED) compliant for pressurised equipment. ISO 9393 compliant test requirements
- Fully interchangeable with previous VE series models
- Option of dismounting downstream pipes with the valve in the closed position
- Floating full bore ball with high surface finish made in CNC work stations to achieve precise dimensional tolerance and high surface finish



Reference	d	DN	PN	B	C	C ₁	E	H	L	Z	g
VEEIV016E	16	10	16	49	64	44	54	82	14	54	180

All information subject to change.

Please contact us on <https://www.aliaxis.co.uk/get-in-touch> for further informations



VEEIV - Easyfit 2-way ball valve DN 10:50

Reference	d	DN	PN	B	C	C ₁	E	H	L	Z	g
VEEIV020E	20	15	16	49	64	44	54	82	16	50	175
VEEIV025E	25	20	16	62	78	55	63	91	19	53	260
VEEIV032E	32	25	16	71	87	60	72	103	22	59	365
VEEIV040E	40	32	16	82	102	72	85	120	26	68	565
VEEIV050E	50	40	16	92	109	76	100	139	31	77	795
VEEIV063E	63	50	16	110	133	94	118	174	38	98	1325

All information subject to change.

Please contact us on <https://www.aliaxis.co.uk/get-in-touch> for further informations

