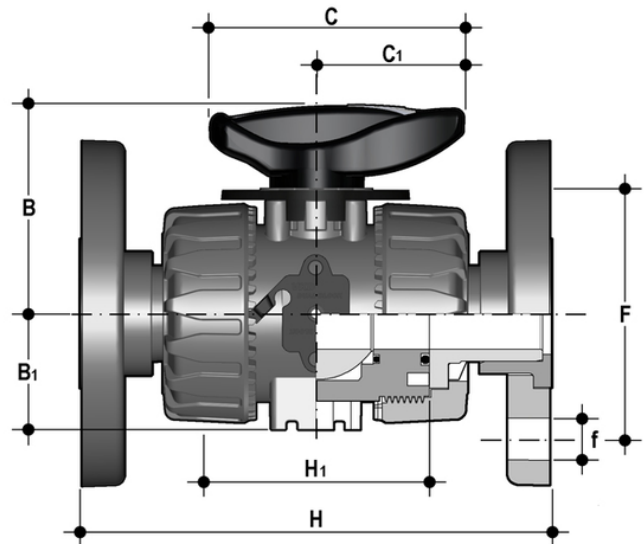


VKROAV – DUAL BLOCK® regulating ball valve DN 10:50

DUAL BLOCK® regulating ball valve with ANSI B16.5 cl.150#FF fixed flange.

The VKR DUAL BLOCK® valve combines high reliability and safety aspects typical of VKD full bore ball valves with the new flow adjustment function with typical linear curve that meets the most stringent needs typical of industrial applications.

- HIPVC ergonomic multifunctional handle with **position indicator** and tool to adjust the ball seat carrier
- Flow direction and opening angle indication plate with **graduated scale with 5° detail** for clear and accurate readings
- 90° operating angle that permits **the use of standard** quarter turn **actuators**
- The patented ball design provides **linear flow adjustment** throughout its range of operation even when the valve is open just a few degrees and guarantees minimum pressure drops
- Patented **DUAL BLOCK®** system: prevents union nuts from loosening even under extreme operating conditions: e.g. vibration or thermal expansion
- Connection system for solvent weld, threaded and flanged joints
- Patented **SEAT STOP®** ball carrier system that lets you micro-adjust seals and minimise the axial force effect
- Easy radial dismounting allowing quick replacement of O-rings and ball seats without any need for tools
- **PN16 True Union valve body** made for rigid PVC-U injection moulding equipped with built-in bores for actuation. ISO 9393 compliant test requisites
- Option of dismounting downstream pipes with the valve in the closed position
- High surface finish stem with double O-Ring and double connection key to ball
- **Integrated bracket** for valve anchoring
- Ball seat carrier can be adjusted using the **Easytorque adjustment kit**
- Actuation option: version with electric modulating actuator with 4-20 mA / 0-10 V inlet and 4-20 mA / 0-10 V outlet to monitor the position
- Valve suitable for carrying fluids that are clean and free of suspended particles



EPDM

All information subject to change.

Please contact us on <https://www.aliaxis.co.uk/get-in-touch> for further informations

VKROAV - DUAL BLOCK® regulating ball valve DN 10:50

Reference	d	DN	PN	B	B ₁	C	C ₁	F	H	H ₁	U	f	Sp	g
VKROAV012E	1/2"	15	16	54	29	67	40	60,3	143	65	4	15,9	11	460
VKROAV034E	3/4"	20	16	65	34,5	85	49	69,9	172	70	4	15,9	14	632
VKROAV100E	1"	25	16	69,5	39	85	49	79,4	187	78	4	15,9	14	853
VKROAV114E	1" 1/4	32	16	82,5	46	108	64	88,9	190	88	4	15,9	14	1313
VKROAV112E	1" 1/2	40	16	89	52	108	64	98,4	212	93	4	15,9	16	1669
VKROAV200E	2"	50	16	108	62	134	76	120,7	234	111	4	19,1	16	2577

FKM

Reference	d	DN	PN	B	B ₁	C	C ₁	F	f	H	H ₁	Sp	U	g
VKROAV012F	1/2"	15	16	54	29	67	40	60,3	15,9	143	65	11	4	460
VKROAV034F	3/4"	20	16	65	34,5	85	49	69,9	15,9	172	70	14	4	632
VKROAV100F	1"	25	16	69,5	39	85	49	79,4	15,9	187	78	14	4	853
VKROAV114F	1" 1/4	32	16	82,5	46	108	64	88,9	15,9	190	88	14	4	1313
VKROAV112F	1" 1/2	40	16	89	52	108	64	98,4	15,9	212	93	16	4	1669
VKROAV200F	2"	50	16	108	62	134	76	120,7	19,1	234	111	16	4	2577