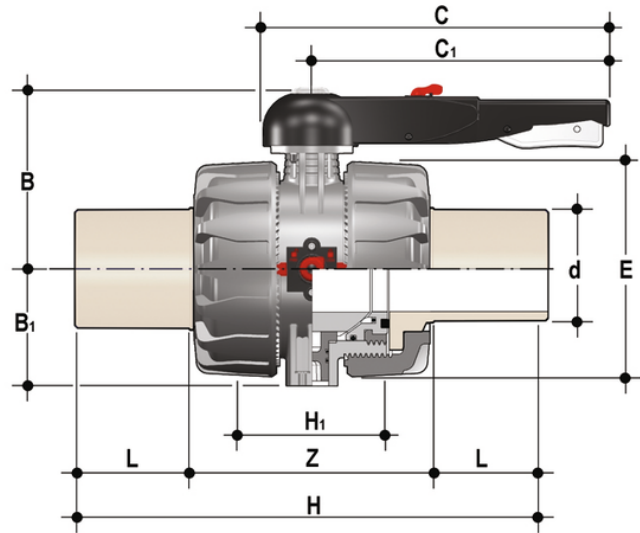


VKDBM - DUAL BLOCK® 2-way ball valve DN 65:100

DUAL BLOCK® 2-way ball valve with long spigot male ends in PP-H SDR 11 for butt welding or electrofusion (CVDM).



EPDM

Reference	d	DN	PN	B	B ₁	C	C ₁	E	H	H ₁	L	Z	g
VKDBM090E	90	80	10	177	105	327	272	202	390	149	88	214	5240
VKDBM110E	110	100	10	195	129	385	330	236	431	167	92	247	7970
VKDBM075E	75	65	10	164	87	225	175	162	356	133	71	214	3150

EPDM

Reference	d	DN	PN	B	B ₁	C	C ₁	E	H	H ₁	L	Z	g
VKDBM075E0SF	75	65	10	164	87	225	175	162	356	133	71	214	3150
VKDBM090E0SF	90	80	10	177	105	327	272	202	390	149	88	214	5240
VKDBM110E0SF	110	100	10	195	129	385	330	236	431	167	92	247	7970

FKM

Reference	d	DN	PN	B	B ₁	C	C ₁	E	H	H ₁	L	Z	g
VKDBM075F	75	65	10	164	87	225	175	162	356	133	71	214	3150
VKDBM090F	90	80	10	177	105	327	272	202	390	149	88	214	5240
VKDBM110F	110	100	10	195	129	385	330	236	431	167	92	247	7970

All information subject to change.

Please contact us on <https://www.aliaxis.co.uk/get-in-touch> for further informations

VKDBM - DUAL BLOCK® 2-way ball valve DN 65:100

FKM

Reference	d	DN	PN	B	B ₁	C	C ₁	E	H	H ₁	L	Z	g
VKDBM075F0SF	75	65	10	164	87	225	175	162	356	133	71	214	3150
VKDBM090F0SF	90	80	10	177	105	327	272	202	390	149	88	214	5240
VKDBM110F0SF	110	100	10	195	129	385	330	236	431	167	92	247	7970