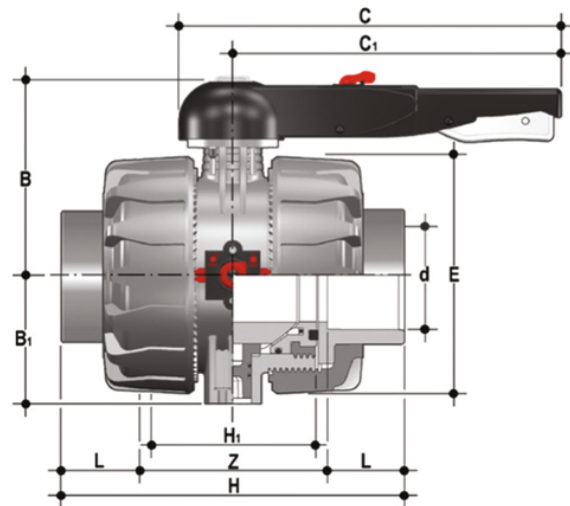


# VKDIC - DUAL BLOCK® 2-way ball valve DN 65:100

DUAL BLOCK® 2-way ball valve with female ends for solvent welding, metric series.

FIP has developed a VKD DUAL BLOCK® ball valve to introduce a high reference standard in thermosplastic valve design. VKD is a True Union ball valve that meets the most stringent needs required by industrial applications. This valve is also equipped with a customisable Labelling System.

- HIPVC ergonomic multifunctional handle for quick operation, **lock and graduated adjustment in 10 positions**. Possibility of inhibiting rotation with a lock
- Customisable Labelling System: LCE module made of a transparent protection plug and **customisable tag holder** using the LSE set (available as accessory). The customisation lets you identify the valve on the system according to specific needs
- **DUAL BLOCK®** patented lock system that ensures union nut tightening hold even in severe conditions such as vibrations or heat dilation
- **Double stem** with double O-Rings for ball centring and operating torque reduction
- Machined high surface finish ball that guarantees a smooth operation and increased reliability
- Connection system for solvent weld, threaded and flanged joints
- Patented **SEAT STOP®** ball carrier system that lets you micro-adjust seals and minimise axial force effects
- Easy radial dismounting allowing quick replacement of O-rings and ball seats without any need for tools
- **PN16 True Union valve body** made for rigid PVC-U injection moulding equipped with built-in bores for actuation. ISO 9393 compliant test requisites
- Option of dismounting downstream pipes with the valve in the closed position
- **Full bore ball** with high surface finish
- **Integrated bracket** for valve anchoring
- Possibility of installing a manual reducer or pneumatic and/or electric actuators by applying an ISO standard bore PP-GR flange
- **STAINLESS steel co-moulded stem**, with square section as per ISO 5211
- Possibility to have handle with integrated LSQT limit micro switch, even as a retrofit in existing installations



## EPDM

All information subject to change.

Please contact us on <https://www.aliaxis.co.uk/get-in-touch> for further informations

# VKDIC - DUAL BLOCK® 2-way ball valve DN 65:100

Reference	d	DN	PN	B	B <sub>1</sub>	C	C <sub>1</sub>	E	H	H <sub>1</sub>	L	Z	g
VKDIC075E	75	65	16	164	87	225	175	164	235	133	44	147	4750
VKDIC090E	90	80	16	177	105	327	272	203	270	149	51	168	7838
VKDIC110E	110	100	16	195	129	385	330	238	308	167	61	186	12137

## EPDM

Reference	d	DN	PN	B	B <sub>1</sub>	C	C <sub>1</sub>	E	H	H <sub>1</sub>	L	Z	g
VKDIC075E0SF	75	65	16	164	87	225	175	164	235	133	44	147	4750
VKDIC090E0SF	90	80	16	177	105	327	272	203	270	149	51	168	7838
VKDIC110E0SF	110	100	16	195	129	385	330	238	308	167	61	186	12137

## FKM

Reference	d	DN	PN	B	B <sub>1</sub>	C	C <sub>1</sub>	E	H	H <sub>1</sub>	L	Z	g
VKDIC075F	75	65	16	164	87	225	175	164	235	133	44	147	4750
VKDIC090F	90	80	16	177	105	327	272	203	270	149	51	168	7838
VKDIC110F	110	100	16	195	129	385	330	238	308	167	61	186	12137

## FKM

Reference	d	DN	PN	B	B <sub>1</sub>	C	C <sub>1</sub>	E	H	H <sub>1</sub>	L	Z	g
VKDIC075F0SF	75	65	16	164	87	225	175	164	235	133	44	147	4750
VKDIC090F0SF	90	80	16	177	105	327	272	203	270	149	51	168	7838
VKDIC110F0SF	110	100	16	195	129	385	330	238	308	167	61	186	12137