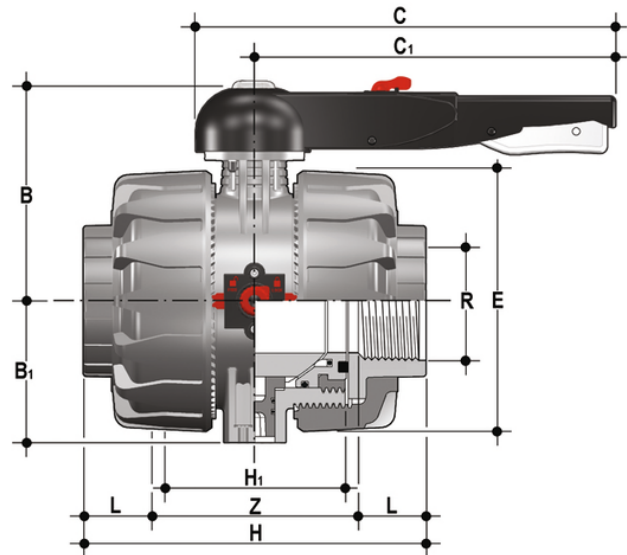


VKDFC - DUAL BLOCK® 2-way ball valve DN 65:100

DUAL BLOCK® 2-way ball valve with BSP threaded female ends.



EPDM

Reference	R	DN	PN	B	B ₁	C	C ₁	E	H	H ₁	L	Z	g
VKDFC212E	2" 1/2	65	16	164	87	225	175	164	235	133	33,2	168,6	4769
VKDFC300E	3"	80	16	177	105	327	272	203	270	149	35,5	199	7910
VKDFC400E	4"	100	16	195	129	385	330	238	308	167	37,6	232,8	12262

FKM

Reference	R	DN	PN	B	B ₁	C	C ₁	E	H	H ₁	L	Z	g
VKDFC212F	2" 1/2	65	16	164	87	225	175	164	235	133	33,2	168,6	4769
VKDFC300F	3"	80	16	177	105	327	272	203	270	149	35,5	199	7910
VKDFC400F	4"	100	16	195	129	385	330	238	308	167	37,6	232,8	12262

All information subject to change.

Please contact us on <https://www.aliasis.co.uk/get-in-touch> for further informations