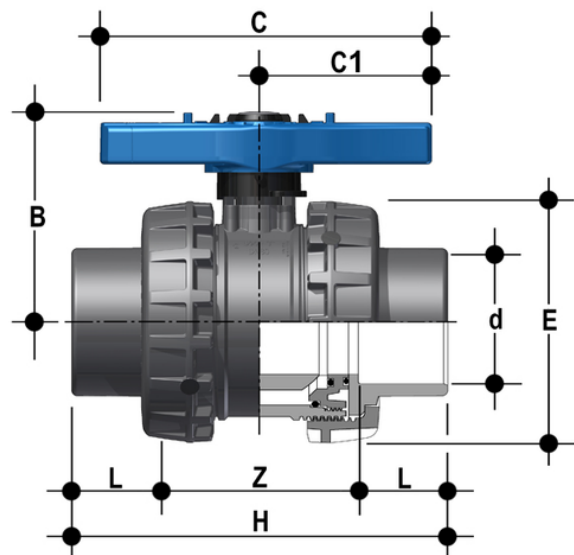


VEEJV – Easyfit 2-way ball valve DN 65:100

Easyfit 2-way ball valve with female ends, JIS series.

FIP and Giugiaro Design designed and developed VEE Easyfit, the innovative True Union ball valve that permits simple and safe installation for reliable service over time.

- **Innovative quick release Easyfit handle** made up of a central hub firmly coupled with the stem by a **dual spoke grip** that can be released from the hub with a simple operation and used as a **ball seat adjustment tool**
- Settings for the customisable Labelling System using the LCE module (available as an accessory). The grey protection plug housed on the central hub can be replaced with the transparent plug and customisable tag holder with the LSE set (available as an accessory). The **customisation lets you identify the valve on the system** according to specific needs
- **PE seal system with locked carrier** adjustable via the Easyfit quick release handle
- **Stem** with high surface finish and **double O-Ring and PTFE anti-friction disk** that limits friction to a minimum and grants excellent operating torque
- Valve body set for SHE kit installation (available as an accessory) that blocks the closing and opening manoeuvres with a lock
- Machined high surface finish ball that guarantees a smooth operation and increased reliability
- **Patented Easyfit system:** innovative mechanism that lets you use the quick release handle to adjust the ball carrier
- Connection system for solvent weld and threaded joints
- **Valve material compatibility** (PVC-U) with water, drinking ware and other food substances according to **current regulations**
- Easy radial dismounting allowing quick replacement of O-rings and ball seats without any need for tools
- **PN16 True Union valve body** made for PVC-U injection moulding and European Directive 2014/68/EU (PED) compliant for pressurised equipment. ISO 9393 compliant test requirements
- Valve body with built-in anchoring frame for the special **Power Quick Easyfit module** dedicated to the installation of pneumatic and electric actuators or accessories
- Option of dismounting downstream pipes with the valve in the closed position
- Floating **full bore ball** with high surface finish made in CNC work stations to achieve precise dimensional tolerance and high surface finish



Reference	d	DN	PN	B	C	C ₁	E	H	L	Z	g
VEEJV212E	2"1/2	65	16	142	214	115	157	243	61	121	2750

All information subject to change.

Please contact us on <https://www.aliaxis.co.uk/get-in-touch> for further informations



VEEJV - Easyfit 2-way ball valve DN 65:100

Reference	d	DN	PN	B	C	C ₁	E	H	L	Z	g
VEEJV300E	3"	80	16	151	239	126	174	272	64,5	143	3432
VEEJV400E	4"	100	16	174,5	270	145	212	332	84	164	5814

All information subject to change.

Please contact us on <https://www.aliasis.co.uk/get-in-touch> for further informations

