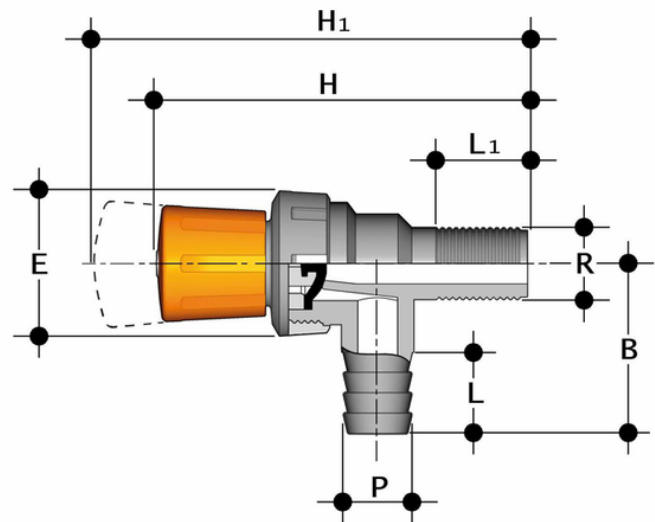


# RMRPV - Diaphragm cock valve DN 15

Diaphragm cock valve with BSP threaded male ends and hose connection.

The RM diaphragm cock valve is used to shut-off and regulate fluid flow and is characterised by its reduced size.

- Connection system for threaded joints
- **Can be installed in any position**
- Can be coupled to pipes in PVC-U, PVC-U plasticised, PE and rubber
- **Valve material compatibility** (PVC-U) with water, drinking water and other food substance conveyance according to **current regulations**
- Specifically designed for laboratory applications or for sampling purposes



Reference	R	DN	PN	P	B	E	H	H1	L	L <sub>1</sub>	g
RMRPV012020E	1/2"	15	4	20	50	43	110	119	24	29	90