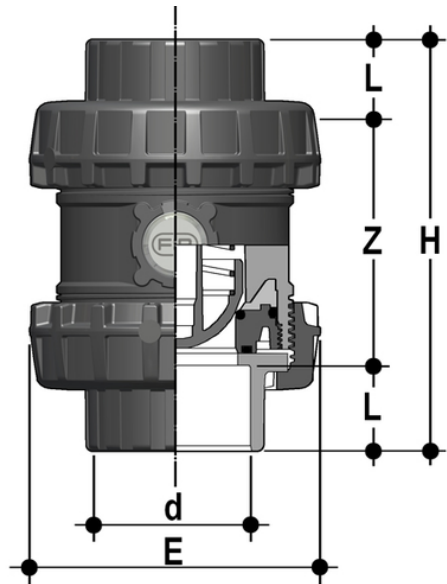


# SSEIC/A316 – Easyfit True Union spring check valve DN 65:100

True Union Check Valve Easyfit with metric plain socket ends for solvent welding. Spring in A316.

The SSE Easyfit check valve with spring loaded shutter developed with Giugiaro Design stands out for the innovative installation method that guarantees reliable service over time. This valve is also equipped with a customising Labelling System.

- **Customisable Labelling System: built-in LCE module** on the valve body made up of transparent protection plug and customisable tag holder using the LSE set (available as accessory). The customisation potential **lets you identify the valve on the system** according to specific needs
- **Locked ball seat carrier** safe dismounting for maintenance with the Easyfit multifunctional handle
- Ideal for **horizontal installations**: perfect seal even with low back pressure. Silent and durable even with strong vibrations and pulsating fluid
- PVC-C shutter and springs available in STAINLESS Steel 316, A316 PTFE encapsulated: maximum reliability in a wide field of applications from salt water to aggressive acids
- Connection system for solvent weld and threaded joints
- Valve material compatibility (PVC-C) **with water conveyance, drinking water and other food substances** according to current regulations
- **PN16 True Union valve body** made for PVC-C injection moulding and European Directive 2014/68/EU (PED) compliant for pressurised equipment. ISO 9393 compliant test requirements
- Easy radial disassembly and fully interchangeable with VXE 65-100 valve models
- Union nut profile that perfectly adapts to the Easyfit multifunctional handle hooked insert (available as an accessory) that lets you control union nut rotation
- Can be **installed** in either a **vertical** or **horizontal** position



## EPDM

Reference	d	DN	PN	E	H	L	Z	g
SSEIC075E	75	65	16	157	211	44	123	2652

All information subject to change.

Please contact us on <https://www.aliaxis.co.uk/get-in-touch> for further informations



# SSEIC/A316 - Easyfit True Union spring check valve DN 65:100

Reference	d	DN	PN	E	H	L	Z	g
SSEIC090E	90	80	16	174	248	51	146	3365
SSEIC110E	110	100	16	212	283	61	161	5898

## FKM

Reference	d	DN	PN	E	H	L	Z	g
SSEIC075F	75	65	16	157	211	44	123	2652
SSEIC090F	90	80	16	174	248	51	146	3365
SSEIC110F	110	100	16	212	283	61	161	5898

All information subject to change.

Please contact us on <https://www.aliasis.co.uk/get-in-touch> for further informations

