

DKDF - DIALOCK® 2-way diaphragm valve DN 15:65

DIALOCK® diaphragm valve with male ends for socket welding, metric series.

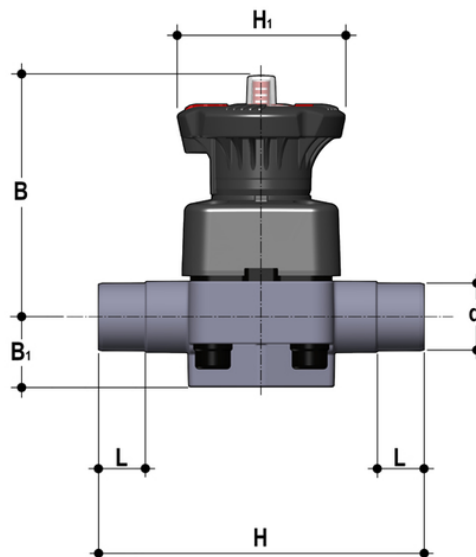
The DK DIALOCK® diaphragm valve is particularly suitable for shutting off and regulating abrasive or dirty fluids. The new internal geometry of the body increases flow coefficient, reduce pressure drop and allows a sensitive and precise adjustment along the entire stroke of the shutter. The DK is extremely compact and very light. The innovative handwheel is equipped with a patented immediate and ergonomic operating locking device that allows it to be adjusted and locked in any position.

- **High visibility graduated optical position indicator** protected by a transparent cap with seal O-Ring
- **Customisation plate:** the customisation lets you identify the valve on the system according to specific needs
- **DIALOCK® SYSTEM:** innovative handwheel with a patented immediate and ergonomic operating locking device that allows it **to be adjusted and locked in over 300 positions**
- **Handwheel and bonnet** in high mechanical strength and chemically resistant **PP-GR**, providing full protection by isolating all internal metal parts from contact with external agents
- **Floating pin connection** between the control screw and diaphragm to prevent concentrated loads, improve the seal and extend its lifetime
- **New design of valve body interior: substantially increased flow coefficient** and reduced pressure drop. The degree of efficiency reached has also **enabled the size and weight of the valve to be reduced**
- **Adjustment linearity:** the internal profiles of the valve also greatly improve its characteristic curve, resulting in **extremely sensitive and precise adjustment** along the entire stroke of the shutter
- **Valve anchoring** bracket **integrated in the body**, with threaded metal inserts allowing **simple panel or wall mounting** using the PMDK mounting plate (supplied as an accessory)
- Connection system for solvent weld, threaded and flanged joints
- **Optimised fluid dynamic design:** maximum output flow rate thanks to the optimised efficiency of the fluid dynamics that characterise the new internal geometry of the body
- **Internal components in metal, totally isolated from the fluid** and external environment
- **Modularity of the range:** only 2 handwheel and 4 diaphragm and bonnet sizes for 7 different valve sizes
- Non-rising handwheel that stays at the same height during rotation, equipped with a graduated optical indicator protected by a transparent PVC cap with seal O-Ring
- Bonnet fastening screws in stainless steel protected against the external environment by PE plugs. Absence of metal parts exposed to the external environment to prevent any risk of corrosion.
- **CDSA** (Circular Diaphragm Sealing Angle) system that, thanks to the uniform distribution of shutter pressure on the diaphragm seal, offers the following advantages:
 - reduction in the tightening torque of the screws fixing the actuator to the valve body
 - reduced mechanical stress on all valve components (actuator, body and diaphragm)
 - easy to clean valve interior
 - low risk of the accumulation of deposits, contamination or damage to the diaphragm due to crystallisation
 - operating torque reduction

All information subject to change.

Please contact us on <https://www.aliaxis.co.uk/get-in-touch> for further informations

DKDF - DIALOCK® 2-way diaphragm valve DN 15:65



EPDM

Reference	d	DN	PN	B	B ₁	H	H ₁	L	g
DKDF020E	20	15	10	102	25	124	80	16	497
DKDF025E	25	20	10	105	30	144	80	19	527
DKDF032E	32	25	10	114	33	154	80	22	756
DKDF040E	40	32	10	119	30	174	80	26	817
DKDF050E	50	40	10	149	35	194	120	31	1700
DKDF063E	63	50	10	172	46	224	120	38	2693
DKDF075E	75	65	10	172	46	284	120	44	2871

EPDM

Reference	d	DN	PN	B	B ₁	H	H ₁	L	g
DKDF020E0SF	20	15	10	102	25	124	80	16	497
DKDF025E0SF	25	20	10	105	30	144	80	19	527
DKDF032E0SF	32	25	10	114	33	154	80	22	756
DKDF040E0SF	40	32	10	119	30	174	80	26	817
DKDF050E0SF	50	40	10	149	35	194	120	31	1700
DKDF063E0SF	63	50	10	172	46	224	120	38	2693
DKDF075E0SF	75	65	10	172	46	284	120	44	2871

All information subject to change.

Please contact us on <https://www.aliaxis.co.uk/get-in-touch> for further informations

DKDF - DIALOCK® 2-way diaphragm valve DN 15:65

FKM

Reference	d	DN	PN	B	B ₁	H	H ₁	L	g
DKDF020F	20	15	10	102	25	124	80	16	497
DKDF025F	25	20	10	105	30	144	80	19	527
DKDF032F	32	25	10	114	33	154	80	22	756
DKDF040F	40	32	10	119	30	174	80	26	817
DKDF050F	50	40	10	149	35	194	120	31	1700
DKDF063F	63	50	10	172	46	224	120	38	2693
DKDF075F	75	65	10	172	46	284	120	44	2871

PTFE

Reference	d	DN	PN	B	B ₁	H	H ₁	L	g
DKDF020P	20	15	10	102	25	124	80	16	497
DKDF025P	25	20	10	105	30	144	80	19	527
DKDF032P	32	25	10	114	33	154	80	22	756
DKDF040P	40	32	10	119	30	174	80	26	817
DKDF050P	50	40	10	149	35	194	120	31	1700
DKDF063P	63	50	10	172	46	224	120	38	2693
DKDF075P	75	65	10	172	46	284	120	44	2871

PTFE

Reference	d	DN	PN	B	B ₁	H	H ₁	L	g
DKDF020POSF	20	15	10	102	25	124	80	16	497
DKDF025POSF	25	20	10	105	30	144	80	19	527
DKDF032POSF	32	25	10	114	33	154	80	22	756
DKDF040POSF	40	32	10	119	30	174	80	26	817
DKDF050POSF	50	40	10	149	35	194	120	31	1700
DKDF063POSF	63	50	10	172	46	224	120	38	2693
DKDF075POSF	75	65	10	172	46	284	120	44	2871

All information subject to change.

Please contact us on <https://www.aliaxis.co.uk/get-in-touch> for further informations