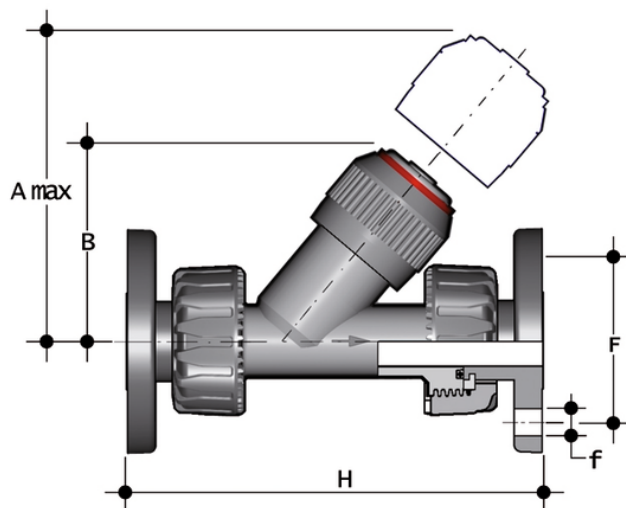


VRUOM – Check valve DN 15:80

Check valve with union ends and fixed flanges, drilled EN/ISO/DIN PN10/16.

The VR is an angle seat check valve with weighted PP-H piston that allows the passage of fluid in one direction only.

- Connection system for weld, threaded and flanged joints
- **No metal parts in contact with the fluid**
- **Piston with counterweight** able to work with high intensity fluid
- Limited pressure drop. Only minimum back pressure is required for the hermetic seal
- **Valve material compatibility** (PP-H) with water conveyance, drinking water and other food substances according to **current regulations**
- Can be maintained with the valve body installed



EPDM

| Reference | d | DN | PN | A max | B | F | f | H | g |
|-----------|----|----|----|-------|-----|-----|----|-----|------|
| VRUOM020E | 20 | 15 | 10 | 125 | 72 | 65 | 14 | 163 | 265 |
| VRUOM025E | 25 | 20 | 10 | 145 | 84 | 75 | 14 | 193 | 327 |
| VRUOM032E | 32 | 25 | 10 | 165 | 95 | 85 | 14 | 211 | 480 |
| VRUOM040E | 40 | 32 | 10 | 190 | 111 | 100 | 18 | 244 | 795 |
| VRUOM050E | 50 | 40 | 10 | 210 | 120 | 110 | 18 | 277 | 1065 |
| VRUOM063E | 63 | 50 | 10 | 240 | 139 | 125 | 18 | 331 | 1705 |

FKM

| Reference | d | DN | PN | A max | B | F | f | H | g |
|-----------|----|----|----|-------|----|----|----|-----|-----|
| VRUOM020F | 20 | 15 | 10 | 125 | 72 | 65 | 14 | 163 | 265 |
| VRUOM025F | 25 | 20 | 10 | 145 | 84 | 75 | 14 | 193 | 327 |

All information subject to change.

Please contact us on <https://www.aliaxis.co.uk/get-in-touch> for further informations



VRUOM - Check valve DN 15:80

| Reference | d | DN | PN | A max | B | F | f | H | g |
|-----------|----|----|----|-------|-----|-----|----|-----|------|
| VRUOM032F | 32 | 25 | 10 | 165 | 95 | 85 | 14 | 211 | 480 |
| VRUOM040F | 40 | 32 | 10 | 190 | 111 | 100 | 18 | 244 | 795 |
| VRUOM050F | 50 | 40 | 10 | 210 | 120 | 110 | 18 | 277 | 1065 |
| VRUOM063F | 63 | 50 | 10 | 240 | 139 | 125 | 18 | 331 | 1705 |

All information subject to change.

Please contact us on <https://www.aliasis.co.uk/get-in-touch> for further informations

