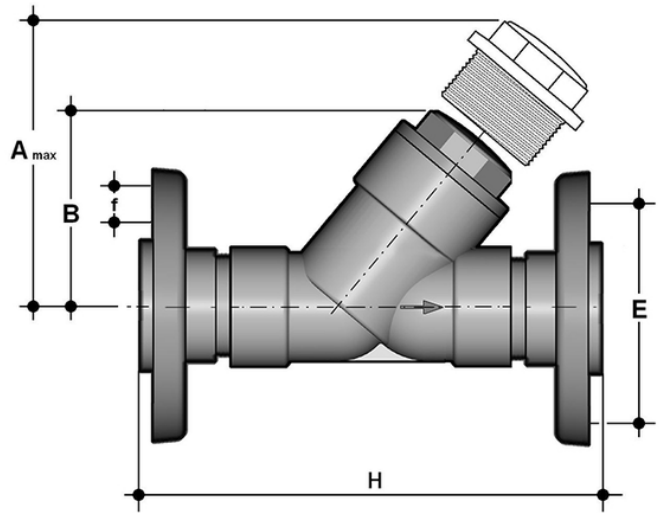


VROM - Check valve DN 15÷80

Check valve with steel core backing ring, PP/FRP coated, drilled EN/ISO/DIN PN10/16.



EPDM

Reference	d	DN	PN	A max	B	F	f	H	g
VROM075E	75	65	6	300	179	145	18	356	5990
VROM090E	90	80	4	325	192	160	18	404	7230

FKM

Reference	d	DN	PN	A max	B	F	f	H	g
VROM075F	75	65	6	300	179	145	18	356	5990
VROM090F	90	80	4	325	192	160	18	404	7230

All information subject to change.

Please contact us on <https://www.aliasis.co.uk/get-in-touch> for further informations