

DKOAV - DIALOCK® 2-way diaphragm valve DN 15:65

DIALOCK® diaphragm valve with flanged monolithic body, drilled ANSI B16.5 cl. 150 #FF.

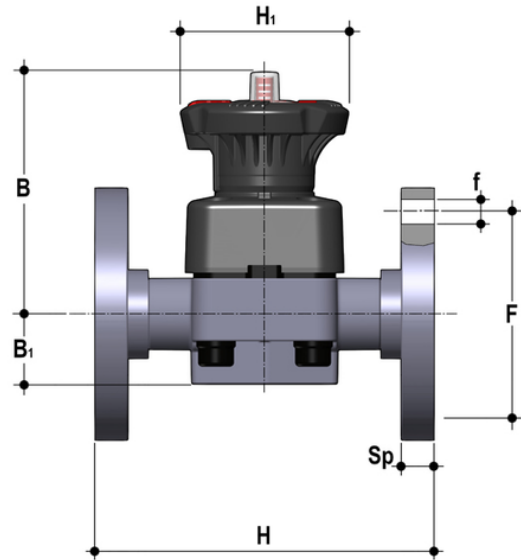
The DK DIALOCK® diaphragm valve is particularly suitable for shutting off and regulating abrasive or dirty fluids. The new internal geometry of the body increases flow coefficient, reduce pressure drop and allows a sensitive and precise adjustment along the entire stroke of the shutter. The DK is extremely compact and very light. The innovative handwheel is equipped with a patented immediate and ergonomic operating locking device that allows it to be adjusted and locked in any position.

- **High visibility graduated optical position indicator** protected by a transparent cap with seal O-Ring
- **Customisation plate:** the customisation lets you identify the valve on the system according to specific needs
- **DIALOCK® SYSTEM:** innovative handwheel with a patented immediate and ergonomic operating locking device that allows it **to be adjusted and locked in over 300 positions**
- **Handwheel and bonnet** in high mechanical strength and chemically resistant **PP-GR**, providing full protection by isolating all internal metal parts from contact with external agents
- **Floating pin connection** between the control screw and diaphragm to prevent concentrated loads, improve the seal and extend its lifetime
- **New design of valve body interior: substantially increased flow coefficient** and reduced pressure drop. The degree of efficiency reached has also **enabled the size and weight of the valve to be reduced**
- **Adjustment linearity:** the internal profiles of the valve also greatly improve its characteristic curve, resulting in **extremely sensitive and precise adjustment** along the entire stroke of the shutter
- **Valve anchoring** bracket **integrated in the body**, with threaded metal inserts allowing **simple panel or wall mounting** using the PMDK mounting plate (supplied as an accessory)
- Connection system for solvent weld, threaded and flanged joints
- **Optimised fluid dynamic design:** maximum output flow rate thanks to the optimised efficiency of the fluid dynamics that characterise the new internal geometry of the body
- **Internal components in metal, totally isolated from the fluid** and external environment
- **Modularity of the range:** only 2 handwheel and 4 diaphragm and bonnet sizes for 7 different valve sizes
- Non-rising handwheel that stays at the same height during rotation, equipped with a graduated optical indicator protected by a transparent PVC cap with seal O-Ring
- Bonnet fastening screws in stainless steel protected against the external environment by PE plugs. Absence of metal parts exposed to the external environment to prevent any risk of corrosion.
- **CDSA** (Circular Diaphragm Sealing Angle) system that, thanks to the uniform distribution of shutter pressure on the diaphragm seal, offers the following advantages:
 - reduction in the tightening torque of the screws fixing the actuator to the valve body
 - reduced mechanical stress on all valve components (actuator, body and diaphragm)
 - easy to clean valve interior
 - low risk of the accumulation of deposits, contamination or damage to the diaphragm due to crystallisation
 - operating torque reduction

All information subject to change.

Please contact us on <https://www.aliaxis.co.uk/get-in-touch> for further informations

DKOAV - DIALOCK® 2-way diaphragm valve DN 15:65



EPDM

| Reference | d | DN | PN | B | B ₁ | F | product.detail.attribute.Øf | H | H ₁ | Sp | U | g |
|-----------|--------|----|----|-----|----------------|------|-----------------------------|-----|----------------|------|---|------|
| DKOAV012E | 1/2" | 15 | 10 | 102 | 25 | 60.3 | 14 | 108 | 80 | 13,5 | 4 | 925 |
| DKOAV034E | 3/4" | 20 | 10 | 105 | 30 | 70 | 15.7 | 120 | 80 | 13,5 | 4 | 990 |
| DKOAV100E | 1" | 25 | 10 | 114 | 33 | 80 | 15.7 | 131 | 80 | 13,5 | 4 | 1054 |
| DKOAV114E | 1" 1/4 | 32 | 10 | 119 | 30 | 89 | 15.7 | 162 | 80 | 14 | 4 | 1272 |
| DKOAV112E | 1" 1/2 | 40 | 10 | 149 | 35 | 99 | 15.7 | 180 | 120 | 16 | 4 | 2164 |
| DKOAV200E | 2" | 50 | 10 | 172 | 46 | 121 | 19 | 210 | 120 | 16 | 4 | 3009 |
| DKOAV212E | 2" 1/2 | 65 | 10 | 172 | 46 | 140 | 19 | 250 | 120 | 21 | 4 | 3610 |

FKM

| Reference | d | DN | PN | B | B ₁ | F | product.detail.attribute.Øf | H | H ₁ | Sp | U | g |
|-----------|--------|----|----|-----|----------------|------|-----------------------------|-----|----------------|------|---|------|
| DKOAV012F | 1/2" | 15 | 10 | 102 | 25 | 60.3 | 14 | 108 | 80 | 13,5 | 4 | 925 |
| DKOAV034F | 3/4" | 20 | 10 | 105 | 30 | 70 | 15.7 | 120 | 80 | 13,5 | 4 | 990 |
| DKOAV100F | 1" | 25 | 10 | 114 | 33 | 80 | 15.7 | 131 | 80 | 13,5 | 4 | 1054 |
| DKOAV114F | 1" 1/4 | 32 | 10 | 119 | 30 | 89 | 15.7 | 162 | 80 | 14 | 4 | 1272 |
| DKOAV112F | 1" 1/2 | 40 | 10 | 149 | 35 | 99 | 15.7 | 180 | 120 | 16 | 4 | 2164 |
| DKOAV200F | 2" | 50 | 10 | 172 | 46 | 121 | 19 | 210 | 120 | 16 | 4 | 3009 |
| DKOAV212F | 2" 1/2 | 65 | 10 | 172 | 46 | 140 | 19 | 250 | 120 | 21 | 4 | 3610 |

All information subject to change.

Please contact us on <https://www.aliasis.co.uk/get-in-touch> for further informations

DKOAV - DIALOCK® 2-way diaphragm valve DN 15:65

PTFE

| Reference | d | DN | PN | B | B ₁ | F | product.detail.attribute.Øf | H | H1 | Sp | U | g |
|-----------|--------|----|----|-----|----------------|------|-----------------------------|-----|-----|------|---|------|
| DKOAV012P | 1/2" | 15 | 10 | 102 | 25 | 60.3 | 14 | 108 | 80 | 13,5 | 4 | 925 |
| DKOAV034P | 3/4" | 20 | 10 | 105 | 30 | 70 | 15.7 | 120 | 80 | 13,5 | 4 | 990 |
| DKOAV100P | 1" | 25 | 10 | 114 | 33 | 80 | 15.7 | 131 | 80 | 13,5 | 4 | 1054 |
| DKOAV114P | 1" 1/4 | 32 | 10 | 119 | 30 | 89 | 15.7 | 162 | 80 | 14 | 4 | 1272 |
| DKOAV112P | 1" 1/2 | 40 | 10 | 149 | 35 | 99 | 15.7 | 180 | 120 | 16 | 4 | 2164 |
| DKOAV200P | 2" | 50 | 10 | 172 | 46 | 121 | 19 | 210 | 120 | 16 | 4 | 3009 |
| DKOAV212P | 2" 1/2 | 65 | 10 | 172 | 46 | 140 | 19 | 250 | 120 | 21 | 4 | 3610 |