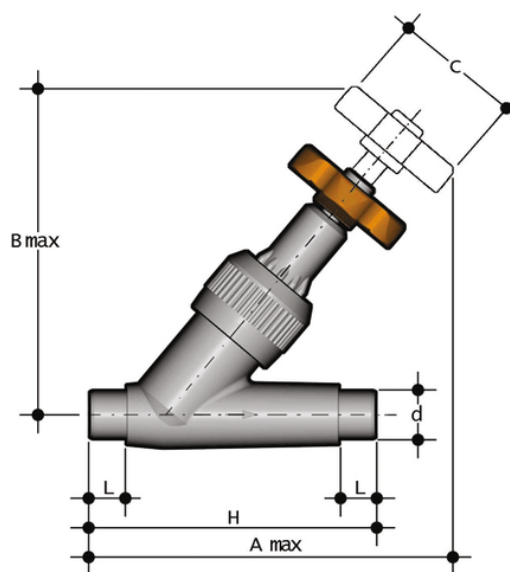


# VVDV - Angle seat valve DN 10:50

Angle seat valve with male ends for solvent welding, metric series.

The VV angle seat valve is a shutting-off and regulating valve particularly suitable for clean fluids.

- Connection system for solvent weld, threaded and flanged joints
- Can be installed in any position
- **No metal parts in contact with the fluid**
- **Valve material compatibility** (PVC-U) with water, drinking water and other food substance conveyance according to **current regulations**
- Can be maintained with the valve body installed



Reference	d	DN	PN	A max	B max	C	H	L	g
VVDV016E	16	10	16	136	124	60	114	14	150
VVDV020E	20	15	16	146	124	60	124	16	160
VVDV025E	25	20	16	165	146	60	144	19	250
VVDV032E	32	25	16	188	173	70	154	22	380
VVDV040E	40	32	10	217	195	85	174	26	480
VVDV050E	50	40	10	247	222	105	194	31	820
VVDV063E	63	50	10	299	269	130	224	38	1345

All information subject to change.

Please contact us on <https://www.aliasis.co.uk/get-in-touch> for further informations