

# FKOF/RM – Butterfly valve DN 40:400

Gearbox operated butterfly valve.

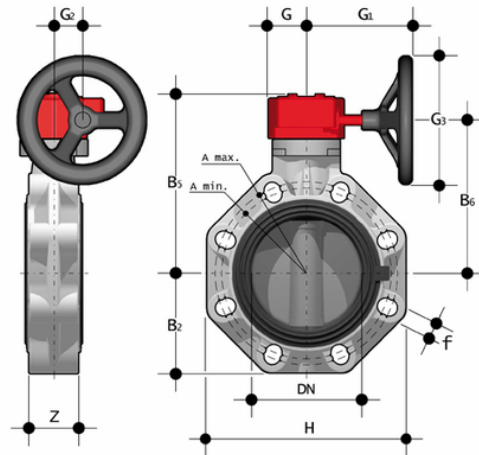
The FK is a butterfly valve for shutting off or regulating flow, with structural characteristics that make it ideal for industrial applications requiring high performance and longterm reliability. This valve is also equipped with the customisable Labelling System.

- **Ergonomic handle** in HIPVC equipped with **locking and unlocking device, release, quick operation and graduated adjustment** in 10 intermediate positions (DN 40÷200). The operating range, starting from the first few degrees of valve opening, also guarantees extremely low pressure drops
- **Customisable Labelling System:** integrated module in the handle, made of a transparent protection plug and a customisable tag holder using the LSE set (available as an accessory). The **customisation** lets you **identify the valve on the system** according to specific needs
- **STAINLESS steel square section stem** completely isolated from the fluid complying with standard ISO 5211:
  - DN 40÷65: 11 mm
  - DN 80÷100: 14 mm
  - DN 125÷150: 17 mm
  - DN 200: 22 mm
  - DN 250÷400: 27 mm
- **Body** in polypropylene based **compound reinforced with fibreglass (PP-GR) resistant to UV rays** and characterised by **high mechanical strength**
- **Drilling pattern using oval slots** that allow coupling to flanges according to numerous international standards. The special **self-centring inserts in ABS** supplied for DN 40÷200 guarantee the **correct axial alignment** of the valve during installation. For DN 250÷400 valves, the drilling pattern for the selfcentring system is of the traditional type according to DIN and ANSI standards
- **Interchangeable liner** with the dual function of forming a hydraulic seal and isolating the body from the fluid
- Interchangeable Disk in PVDF with through shaft, available in different thermoplastic materials: PVC-U, PP-H, PVC-C, ABS
- Overall dimensions of the valve in accordance with standard ISO 5752 (DN 40÷200 Medium Series 25, DN 250÷ 300 Long Series 16) and DIN 3202 K2 and ISO 5752 (DN 65÷200 K2, DN 250÷300 K3)
- Can also be installed as an end line valve, bottom discharge valve or tank dump valve
- **Special Lug version** PN 10 fully drilled according to DIN 2501 or ANSI B16.5 cl.150 **with molded-in AISI 316 stainless steel threaded inserts**
- Possibility of installing a manual reducer or pneumatic and/or electric actuators by applying an ISO standard drilling PP-GR flanges. DN 40 ÷ 200 valve equipped with plate with rack in PP-GR. For actuated versions with flange drilled according to ISO 5211 F05, F07, F10. DN 250÷300 valve, fitted with one-piece top flange in high mechanical strength PP-GR with mounting flange for internal components drilled according to standard ISO 5211 F10 (excluding DN 350÷400), F12, F14
- Possibility to have handle with integrated LSQT limit micro switch, even as a retrofit in existing installations

All information subject to change.

Please contact us on <https://www.aliaxis.co.uk/get-in-touch> for further informations

# FKOF/RM – Butterfly valve DN 40:400



Reference	d - Size	DN	PN	A min	A max	øA	B <sub>2</sub>	B <sub>5</sub>	B <sub>6</sub>	G	G <sub>1</sub>	G <sub>2</sub>	G <sub>3</sub>	H	U	Z	g
FKOFRM075F	75 - 2"1/2	65	10	128	144	-	80	174	146	48	135	39	125	165	4	46	2500
FKOAFRM814F	**14"	350	7	-	-	460	280	438	390	88	361	80	300	530	16	129	36845
FKOFRM400F	*400	400	6	-	-	515	306	438	390	88	361	80	300	594	16	169	45745
FKOFRM355F	*355	350	7	-	-	460	280	438	390	88	361	80	300	530	16	129	36845
FKOAFRM812F	**12"	300	8	-	-	432	245	374	338	88	236	76	250	475	12	114	27600
FKOAFRM810F	**10"	250	10	-	-	362	210	317	281	88	236	76	250	405	12	114	19600
FKOFRM315F	*315	300	8	-	-	400	245	374	338	88	236	76	250	475	12	114	27600
FKOFRM280F	*280	250	10	-	-	350	210	317	281	88	236	76	250	405	12	114	19600
FKOFRM225F	225 - 8"	200	10	280	298	-	161	287	256	65	204	60	200	323	8	71	9600
FKOFRM160F	160 - 6"	150	10	230	242	-	134	235	207	48	144	39	200	268	8	70	5450
FKOFRM140F	140 - 5"	125	10	204	215	-	120	222	194	48	144	39	200	240	8	64	4650
FKOFRM110F	110 - 4"	100	10	165	190	-	107	202	174	48	135	39	125	211	8	56	3300
FKOFRM090F	90 - 3"	80	10	145	160	-	93	188	160	48	135	39	125	185	12	49	3050
FKOAFRM816F	**16"	400	6	-	-	515	306	438	390	88	361	80	300	594	16	169	45745

All information subject to change.

Please contact us on <https://www.aliasis.co.uk/get-in-touch> for further informations