

# DKUAC - DIALOCK® 2-way diaphragm valve DN 15:65

DIALOCK® diaphragm valve with female union ends for solvent welding, ASTM series.

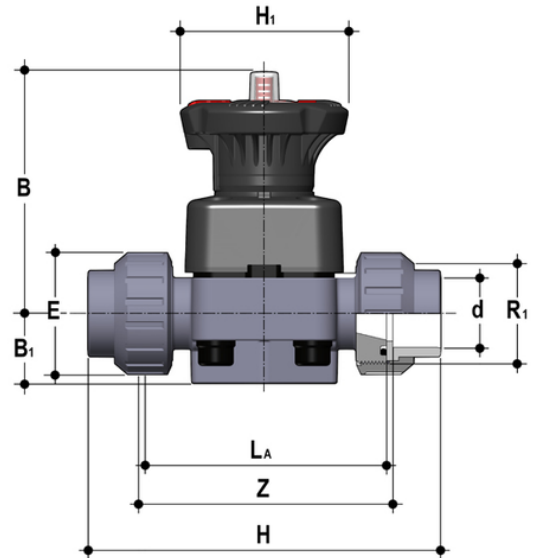
The DK DIALOCK® diaphragm valve is particularly suitable for shutting off and regulating abrasive or dirty fluids. The new internal geometry of the body increases flow coefficient, reduce pressure drop and allows a sensitive and precise adjustment along the entire stroke of the shutter. The DK is extremely compact and very light. The innovative handwheel is equipped with a patented immediate and ergonomic operating locking device that allows it to be adjusted and locked in any position.

- **High visibility graduated optical position indicator** protected by a transparent cap with seal O-Ring
- **Customisation plate:** the customisation lets you identify the valve on the system according to specific needs
- **DIALOCK® SYSTEM:** innovative handwheel with a patented immediate and ergonomic operating locking device that allows it **to be adjusted and locked in over 300 positions**
- **Handwheel and bonnet** in high mechanical strength and chemically resistant **PP-GR**, providing full protection by isolating all internal metal parts from contact with external agents
- **Floating pin connection** between the control screw and diaphragm to prevent concentrated loads, improve the seal and extend its lifetime
- **New design of valve body interior: substantially increased flow coefficient** and reduced pressure drop. The degree of efficiency reached has also **enabled the size and weight of the valve to be reduced**
- **Adjustment linearity:** the internal profiles of the valve also greatly improve its characteristic curve, resulting in **extremely sensitive and precise adjustment** along the entire stroke of the shutter
- **Valve anchoring** bracket **integrated in the body**, with threaded metal inserts allowing **simple panel or wall mounting** using the PMDK mounting plate (supplied as an accessory)
- Connection system for solvent weld, threaded and flanged joints
- **Optimised fluid dynamic design:** maximum output flow rate thanks to the optimised efficiency of the fluid dynamics that characterise the new internal geometry of the body
- **Internal components in metal, totally isolated from the fluid** and external environment
- **Modularity of the range:** only 2 handwheel and 4 diaphragm and bonnet sizes for 7 different valve sizes
- Non-rising handwheel that stays at the same height during rotation, equipped with a graduated optical indicator protected by a transparent PVC cap with seal O-Ring
- Bonnet fastening screws in stainless steel protected against the external environment by PE plugs. Absence of metal parts exposed to the external environment to prevent any risk of corrosion.
- **CDSA** (Circular Diaphragm Sealing Angle) system that, thanks to the uniform distribution of shutter pressure on the diaphragm seal, offers the following advantages:
  - reduction in the tightening torque of the screws fixing the actuator to the valve body
  - reduced mechanical stress on all valve components (actuator, body and diaphragm)
  - easy to clean valve interior
  - low risk of the accumulation of deposits, contamination or damage to the diaphragm due to crystallisation
  - operating torque reduction

All information subject to change.

Please contact us on <https://www.aliaxis.co.uk/get-in-touch> for further informations

# DKUAC - DIALOCK® 2-way diaphragm valve DN 15:65



## EPDM

| Reference | d     | DN | PN | B   | B <sub>1</sub> | E  | H   | H <sub>1</sub> | La  | R <sub>1</sub> | Z   | g    |
|-----------|-------|----|----|-----|----------------|----|-----|----------------|-----|----------------|-----|------|
| DKUAC012E | 1/2"  | 15 | 10 | 102 | 25             | 41 | 143 | 80             | 90  | 1"             | 98  | 509  |
| DKUAC034E | 3/4"  | 20 | 10 | 105 | 30             | 50 | 167 | 80             | 108 | 1"1/4          | 115 | 576  |
| DKUAC100E | 1"    | 25 | 10 | 114 | 33             | 58 | 180 | 80             | 116 | 1"1/2          | 122 | 812  |
| DKUAC114E | 1"1/4 | 32 | 10 | 119 | 30             | 72 | 208 | 80             | 134 | 2"             | 144 | 945  |
| DKUAC112E | 1"1/2 | 40 | 10 | 149 | 35             | 79 | 234 | 120            | 154 | 2"1/2          | 164 | 1814 |
| DKUAC200E | 2"    | 50 | 10 | 172 | 46             | 98 | 272 | 120            | 184 | 2"3/4          | 195 | 2752 |

## FKM

| Reference | d     | DN | PN | B   | B <sub>1</sub> | E  | H   | H <sub>1</sub> | La  | R <sub>1</sub> | Z   | g    |
|-----------|-------|----|----|-----|----------------|----|-----|----------------|-----|----------------|-----|------|
| DKUAC012F | 1/2"  | 15 | 10 | 102 | 25             | 41 | 143 | 80             | 90  | 1"             | 98  | 509  |
| DKUAC034F | 3/4"  | 20 | 10 | 105 | 30             | 50 | 167 | 80             | 108 | 1"1/4          | 115 | 576  |
| DKUAC100F | 1"    | 25 | 10 | 114 | 33             | 58 | 180 | 80             | 116 | 1"1/2          | 122 | 812  |
| DKUAC114F | 1"1/4 | 32 | 10 | 119 | 30             | 72 | 208 | 80             | 134 | 2"             | 144 | 945  |
| DKUAC112F | 1"1/2 | 40 | 10 | 149 | 35             | 79 | 234 | 120            | 154 | 2"1/2          | 164 | 1814 |
| DKUAC200F | 2"    | 50 | 10 | 172 | 46             | 98 | 272 | 120            | 184 | 2"3/4          | 195 | 2752 |

## PTFE

All information subject to change.

Please contact us on <https://www.aliaxis.co.uk/get-in-touch> for further informations

# DKUAC - DIALOCK® 2-way diaphragm valve DN 15:65

| Reference | d     | DN | PN | B   | B <sub>1</sub> | E  | H   | H <sub>1</sub> | La  | R <sub>1</sub> | Z   | g    |
|-----------|-------|----|----|-----|----------------|----|-----|----------------|-----|----------------|-----|------|
| DKUAC012P | 1/2"  | 15 | 10 | 102 | 25             | 41 | 143 | 80             | 90  | 1"             | 98  | 509  |
| DKUAC034P | 3/4"  | 20 | 10 | 105 | 30             | 50 | 167 | 80             | 108 | 1"1/4          | 115 | 576  |
| DKUAC100P | 1"    | 25 | 10 | 114 | 33             | 58 | 180 | 80             | 116 | 1"1/2          | 122 | 812  |
| DKUAC114P | 1"1/4 | 32 | 10 | 119 | 30             | 72 | 208 | 80             | 134 | 2"             | 144 | 945  |
| DKUAC112P | 1"1/2 | 40 | 10 | 149 | 35             | 79 | 234 | 120            | 154 | 2"1/2          | 164 | 1814 |
| DKUAC200P | 2"    | 50 | 10 | 172 | 46             | 98 | 272 | 120            | 184 | 2"3/4          | 195 | 2752 |

All information subject to change.

Please contact us on <https://www.aliasis.co.uk/get-in-touch> for further informations