

FKOM/FM LUG ISO-DIN - Butterfly valve DN 40÷400

Butterfly valve with bare shaft, version Lug ISO-DIN.

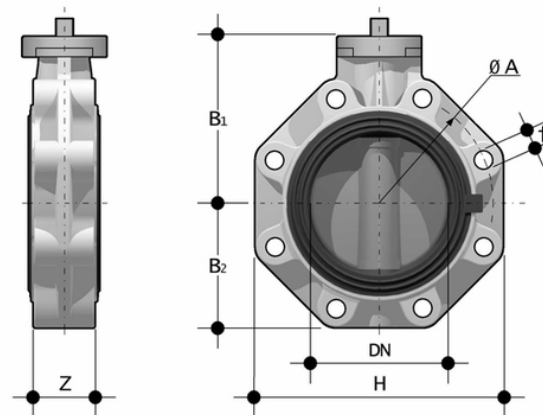
The FK is a butterfly valve for shutting off or regulating flow, with structural characteristics that make it ideal for industrial applications requiring high performance and longterm reliability. This valve is also equipped with the customisable Labelling System.

- **Ergonomic handle** in HIPVC equipped with **locking and unlocking device, release, quick operation and graduated adjustment** in 10 intermediate positions (DN 40÷200). The operating range, starting from the first few degrees of valve opening, also guarantees extremely low pressure drops
- **Customisable Labelling System:** integrated module in the handle, made of a transparent protection plug and a customisable tag holder using the LSE set (available as an accessory). The **customisation** lets you **identify the valve on the system** according to specific needs
- **STAINLESS steel square section stem** completely isolated from the fluid complying with standard ISO 5211:
 - DN 40÷65: 11 mm
 - DN 80÷100: 14 mm
 - DN 125÷150: 17 mm
 - DN 200: 22 mm
 - DN 250÷400: 27 mm
- **Body** in polypropylene based **compound reinforced with fibreglass (PP-GR) resistant to UV rays** and characterised by **high mechanical strength**
- **Drilling pattern using oval slots** that allow coupling to flanges according to numerous international standards. The special **self-centring inserts in ABS** supplied for DN 40÷200 guarantee the **correct axial alignment** of the valve during installation. For DN 250÷400 valves, the drilling pattern for the selfcentring system is of the traditional type according to DIN and ANSI standards
- **Interchangeable liner** with the dual function of forming a hydraulic seal and isolating the body from the fluid
- Interchangeable Disk in PP-H with through shaft, available in different thermoplastic materials: PVC-U, PVC-C, ABS, PVDF
- Overall dimensions of the valve in accordance with standard ISO 5752 and EN 558-1 (DN 40÷65 and DN 250÷350 Long Series 16, DN 80÷200 Medium Series 25, DN 400 according to internal specifications)
- Can also be installed as an end line valve, bottom discharge valve or tank dump valve
- **Special Lug version** PN 10 fully drilled according to EN 1092-1 or ANSI B16.5 cl.150 **with molded-in AISI 316 stainless steel threaded inserts**
- **Valve material compatibility (PP-H)** with water conveyance, drinking water and other food substances according to current **regulations**
- Possibility of installing a manual reducer or pneumatic and/or electric actuators by applying an ISO standard drilling PP-GR flanges. DN 40 ÷ 200 valve equipped with plate with rack in PP-GR. For actuated versions with flange drilled according to ISO 5211 F05, F07, F10. DN 250÷300 valve, fitted with one-piece top flange in high mechanical strength PP-GR with mounting flange for internal components drilled according to standard ISO 5211 F10 (excluding DN 350÷400), F12, F14.
- Possibility to have handle with integrated LSQT limit micro switch, even as a retrofit in existing installations

All information subject to change.

Please contact us on <https://www.aliaxis.co.uk/get-in-touch> for further informations

FKOM/FM LUG ISO-DIN - Butterfly valve DN 40÷400



EPDM

Reference	d	DN	PN	øA	B ₁	B ₂	f	H	U	Z	g
FKOLMFM075E	75	65	10	145	119	80	M16	165	4	46	1300
FKOLMFM090E	90	80	10	160	133	93	M16	185	12	49	2100
FKOLMFM110E	110	100	10	180	147	107	M16	211	8	56	2450
FKOLMFM140E	125/140	125	10	210	167	120	M16	240	8	64	4050
FKOLMFM160E	160*/180	150	10	240	180	134	M20	268	8	70	4800
FKOLMFM225E	200*/225*	200	10	295	227	161	M20	323	8	71	7500
FKOLMFM315E	315	300	6	400	305	245	M20	475	12	114	23500

FKM

Reference	d	DN	PN	øA	B ₁	B ₂	f	H	U	Z	g
FKOLMFM075F	75	65	10	145	119	80	M16	165	4	46	1300
FKOLMFM090F	90	80	10	160	133	93	M16	185	12	49	2100
FKOLMFM110F	110	100	10	180	147	107	M16	211	8	56	2450
FKOLMFM140F	125/140	125	10	210	167	120	M16	240	8	64	4050
FKOLMFM160F	160*/180	150	10	240	180	134	M20	268	8	70	4800
FKOLMFM225F	200*/225*	200	10	295	227	161	M20	323	8	71	7500
FKOLMFM315F	315	300	6	400	305	245	M20	475	12	114	23500

All information subject to change.

Please contact us on <https://www.aliaxis.co.uk/get-in-touch> for further informations