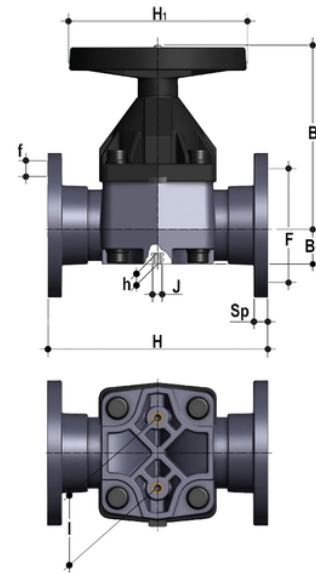


VMOAM - Diaphragm valve DN 80÷100

Diaphragm valve with flanged monolithic body, drilled ANSI B16.5 cl.150 #FF.



EPDM

Reference	d	DN	PN	B	B ₁	F	f	H	H ₁	l	J	Sp	U	g
VMOAM300E	3"	80	*10	225	64	152,4	19	263	200	100	M12	22	4	7500
VMOAM400E	4"	100	*10	295	72	190,5	19	328	250	120	M12	23	8	10480

FKM

Reference	d	DN	PN	B	B ₁	F	f	H	H ₁	l	J	Sp	U	g
VMOAM300F	3"	80	*10	225	64	152,4	19	263	200	100	M12	22	4	7500
VMOAM400F	4"	100	*10	295	72	190,5	19	328	250	120	M12	23	8	10480

PTFE

Reference	d	DN	PN	B	B ₁	F	f	H	H ₁	l	J	Sp	U	g
VMOAM300P	3"	80	*10	225	64	152,4	19	263	200	100	M12	22	4	7500
VMOAM400P	4"	100	*10	295	72	190,5	19	328	250	120	M12	23	8	10480

All information subject to change.

Please contact us on <https://www.aliaxis.co.uk/get-in-touch> for further informations