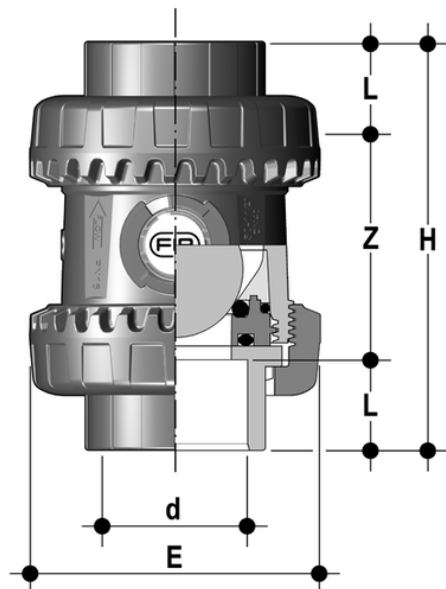


SXEIV – Easyfit true union ball and spring check valve DN 10:50

Easyfit ball check valve with female ends for solvent welding, metric series.

The Easyfit check valve line developed with Giugiaro Design offers two different versions: SXE with ball shutter and SSE with spring loaded shutter. Easyfit check valves stand out for the innovative installation method that guarantees reliable service over time. This valve is also equipped with the customisable Labelling System.

- **Customisable Labelling System: built-in LCE module** on the valve body made up of transparent protection plug and customisable tag holder using the LSE set (available as accessory). The customisation potential lets you identify the valve on the system according to specific needs.
- **Optimised dynamic fluid design:** energy savings thanks to the improved valve Kv value with consequent pressure drop reduction
- High surface finish ball shutter: **wear reduction**, increase in working life and reduced valve maintenance. Ideal for conveying dirty fluids, even with suspended solids and filaments thanks to the special design that permits **internal valve selfcleaning**
- **Locked ball seat carrier:** safe dismounting for maintenance with the Easyfit multifunctional handle or Easytorque kit
- Ideal for horizontal installations: **perfect seal even with low back pressure. Silent** and durable even with strong vibrations and pulsating fluid
- PVC-U shutter and springs available made of STAINLESS steel 316, Hastelloy C276, A316 PTFE encapsulated: maximum reliability in a **wide field of applications** from salt water to aggressive acids
- Connection system for solvent weld and threaded joints
- **Valve material compatibility (PVC-U)** with water conveyance, drinking water and other food substances according to current regulations
- **PN16 True Union** valve body made for PVC-U injection moulding and European Directive 2014/68/EU (PED) compliant for pressurised equipment. ISO 9393 compliant test requirements
- **Short face to face dimension** according to international regulation ISO 7508 series III and European regulation EN 1452 "short" and fully interchangeable with VXE and VEE DN 10÷50 ball valve models
- Union nuts with rack for tightening adjustment via Easyfit handle or via Easytorque adjustment kit (available as accessories)
- **Vertical** (preferable for SXE model) and **horizontal installation** potential



EPDM

All information subject to change.

Please contact us on <https://www.aliaxis.co.uk/get-in-touch> for further informations

SXEIV – Easyfit true union ball and spring check valve DN 10:50

Reference	d	DN	PN	E	H	L	Z	g
SXEIV016E	16	10	16	54	82	14	54	145
SXEIV020E	20	15	16	54	82	16	50	148
SXEIV025E	25	20	16	63	91	19	53	190
SXEIV032E	32	25	16	72	103	22	59	300
SXEIV040E	40	32	16	85	120	26	68	460
SXEIV050E	50	40	16	100	139	31	77	675
SXEIV063E	63	50	16	118	174	38	98	1080

EPDM

Reference	d	DN	PN	E	H	L	Z	g
SXEIV016E0SF	16	10	16	54	82	14	54	145
SXEIV020E0SF	20	15	16	54	82	16	50	148
SXEIV025E0SF	25	20	16	63	91	19	53	190
SXEIV032E0SF	32	25	16	72	103	22	59	300
SXEIV040E0SF	40	32	16	85	120	26	68	460
SXEIV050E0SF	50	40	16	100	139	31	77	675
SXEIV063E0SF	63	50	16	118	174	38	98	1080

FKM

Reference	d	DN	PN	E	H	L	Z	g
SXEIV016F	16	10	16	54	82	14	54	145
SXEIV020F	20	15	16	54	82	16	50	148
SXEIV025F	25	20	16	63	91	19	53	190
SXEIV032F	32	25	16	72	103	22	59	300
SXEIV040F	40	32	16	85	120	26	68	460
SXEIV050F	50	40	16	100	139	31	77	675
SXEIV063F	63	50	16	118	174	38	98	1080

FKM

Reference	d	DN	PN	E	H	L	Z	g
SXEIV016F0SF	16	10	16	54	82	14	54	145
SXEIV020F0SF	20	15	16	54	82	16	50	148
SXEIV025F0SF	25	20	16	63	91	19	53	190
SXEIV032F0SF	32	25	16	72	103	22	59	300
SXEIV040F0SF	40	32	16	85	120	26	68	460

All information subject to change.

Please contact us on <https://www.aliaxis.co.uk/get-in-touch> for further informations



SXEIV – Easyfit true union ball and spring check valve DN 10:50

Reference	d	DN	PN	E	H	L	Z	g
SXEIV050F0SF	50	40	16	100	139	31	77	675
SXEIV063F0SF	63	50	16	118	174	38	98	1080

All information subject to change.

Please contact us on <https://www.aliaxis.co.uk/get-in-touch> for further informations

