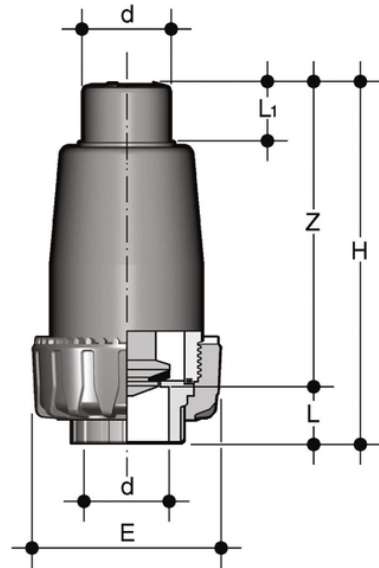


VZIV – Foot valve DN 10:50

Foot valve with male ends for solvent welding, metric series.

The VZ foot valve allows the passage of fluid in one direction only.

- Connection system for solvent weld and threaded joints
- **No metal parts in contact with the fluid**
- **Piston with incorporated counterweight** able to work with high intensity fluid
- Limited pressure loss. Only minimum back pressure is required for the hermetic seal
- **Valve material compatibility** (PVC-U) with water, drinking water and other food substance conveyance according to **current regulations**
- Can be maintained with the valve body installed



Reference	d	DN	PN	E	H	L	L ₁	Z	g
VZIV016E	16	10	16	55	101	14	15	87	105
VZIV020E	20	15	16	55	103	16	18	87	120
VZIV025E	25	20	16	66	125	19	20	106	210
VZIV032E	32	25	16	75	150	22	24	128	350
VZIV040E	40	32	16	87	171	26	28	145	560
VZIV050E	50	40	16	100	187	31	34	156	760
VZIV063E	63	50	16	122	223	38	41	185	1340

All information subject to change.

Please contact us on <https://www.aliaxis.co.uk/get-in-touch> for further informations